

# **Civil Engineering Drawing & Graphics**

## **Course Code: CE- 212**

### **Lecture - 2**



**Engr. Nadeem Ullah**  
**Department of Civil Engineering,**  
**Iqra National University Peshawar**

# ARCHITECTURAL DRAWINGS

- Those drawings which provide basic idea of the structure are called Architectural drawings.
- Primary Purpose
  - To develop a design idea
  - To communicate ideas and concepts
  - To convince clients of the merits of a design
  - To construct a proposed facility.
  - As a record of the completed work

# *ARCHITECTURAL DRAWINGS*

## ◎ MAIN COMPONENTS

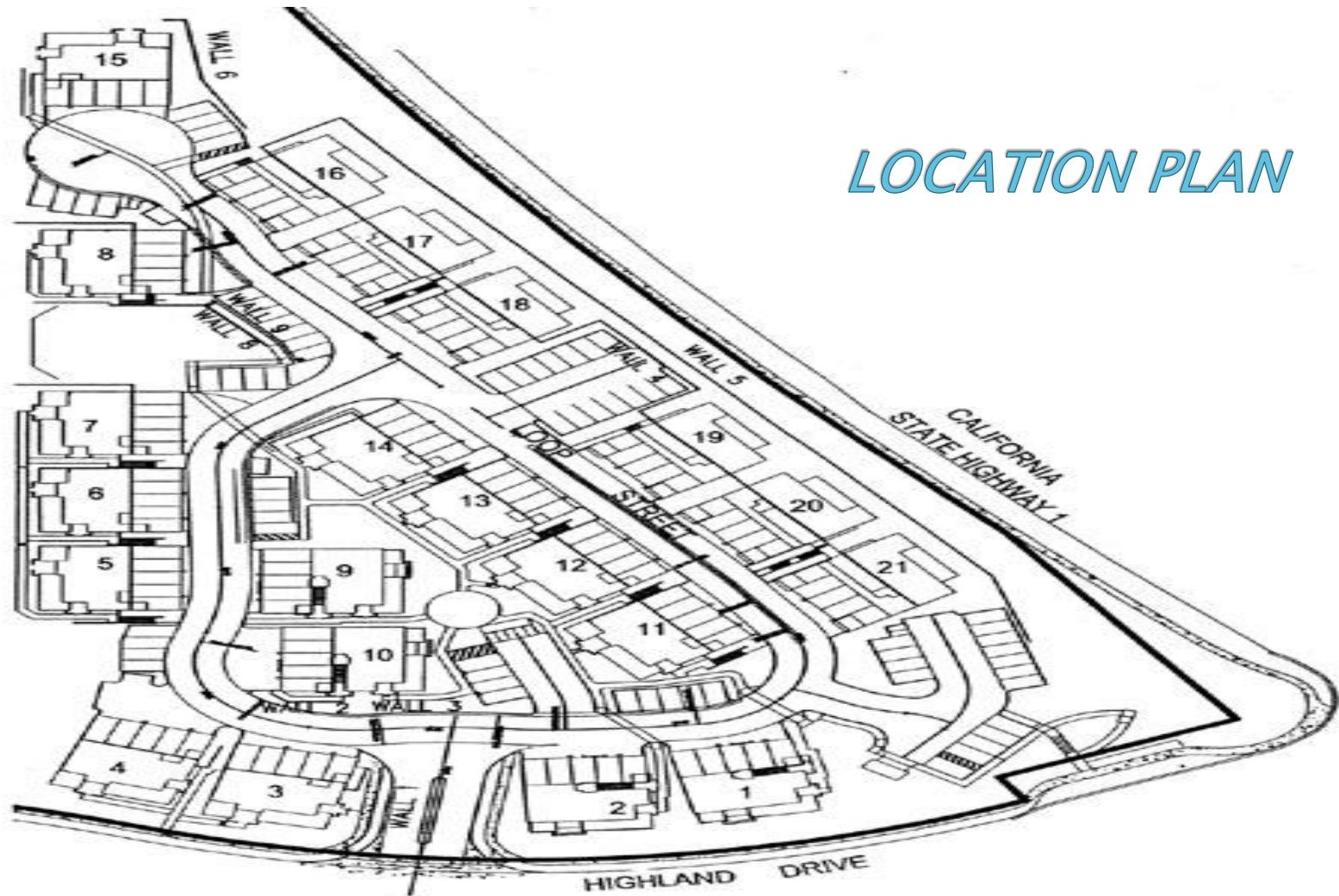
- LOCATION PLAN
- SITE/DETAILED PLAN
- FLOOR PLAN
- ELEVATION VIEWS
- CROSS SECTIONS

# *ARCHITECTURAL DRAWINGS*

## **Location plan**

A **location plan** provides location details of the proposed development in its surrounding context. This enables the **planning** authority to properly identify the land on which the proposed facility will be constructed , and is typically based on an up-to-date Survey

# ARCHITECTURAL DRAWINGS



*LOCATION PLAN*

## Site Plan:

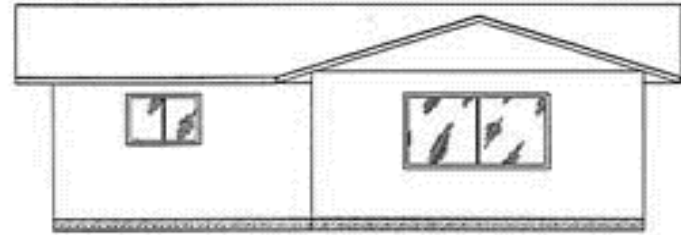
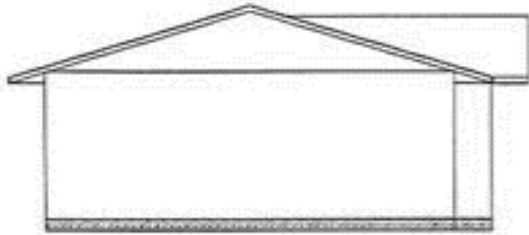
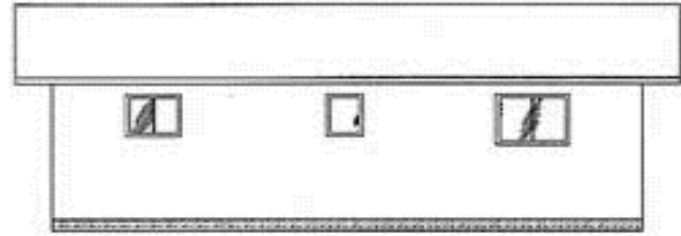
A site plan is a diagram that shows the layout of a proposed building. A site plan may include the location and details of different components of a buildings and structures.

For example:

- 1) Rooms
  - 2) Kitchen
  - 3) TV Lounge
  - 4) Car Park
  - 5) Washroom etc.
- 



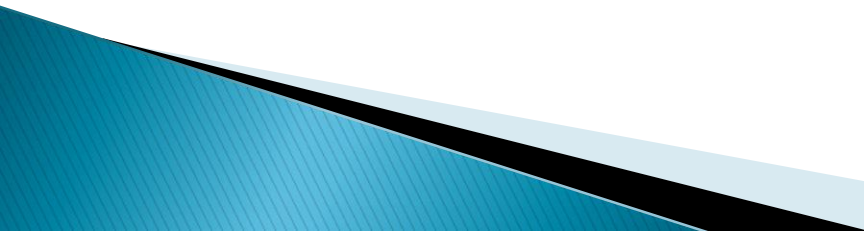
*FLOOR PLAN*



*ELEVATION VIEWS*



# *STRUCTURAL DRAWINGS*

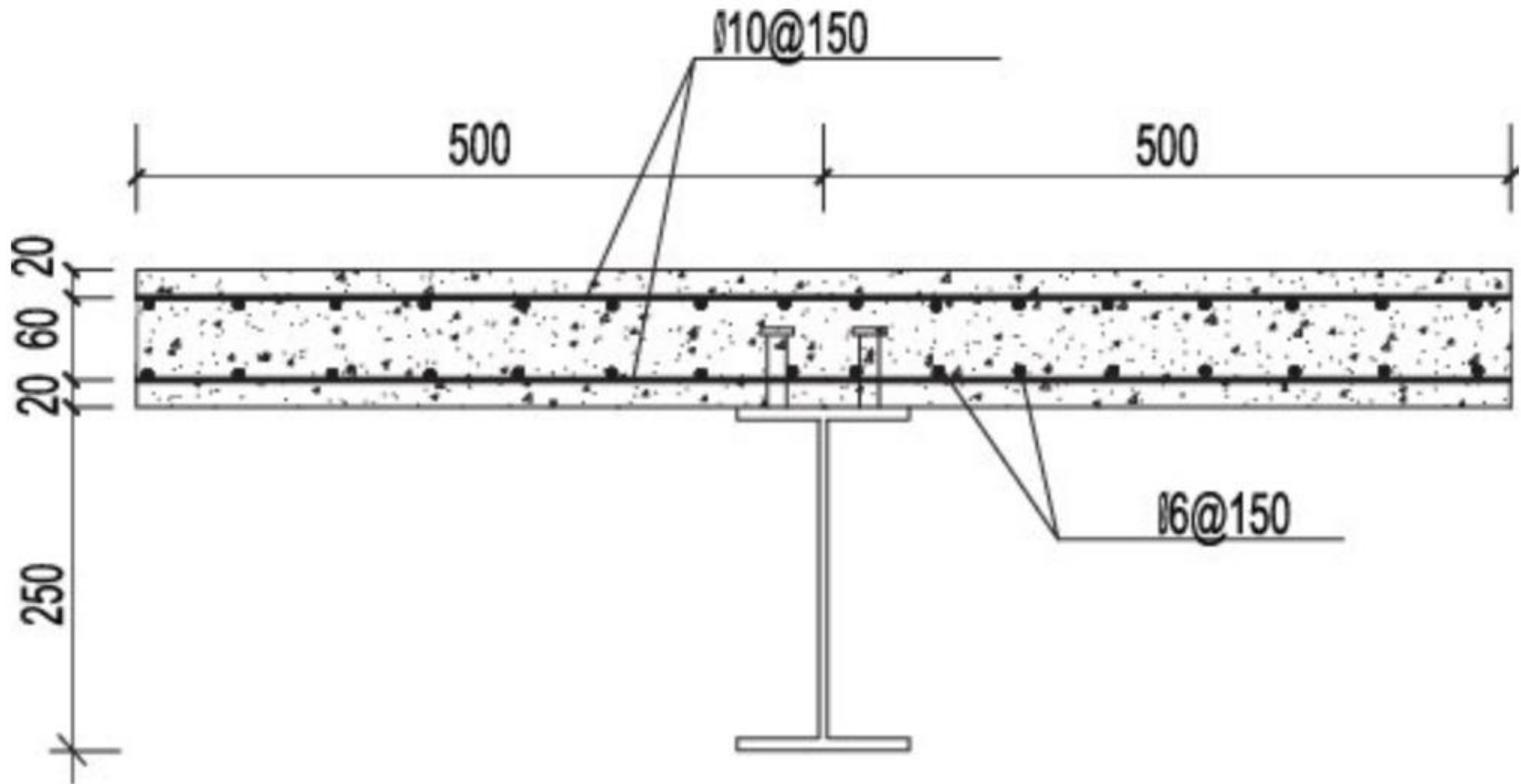
- Those Technical drawings which mainly show the internal details of a structure or building. These internal details maybe about reinforcement details for RCC Structures, floor internal details, roof internal details stairs detailed internal details etc.
  - These drawings are developed by civil/structural engineer
- 

# *STRUCTURAL DRAWINGS*

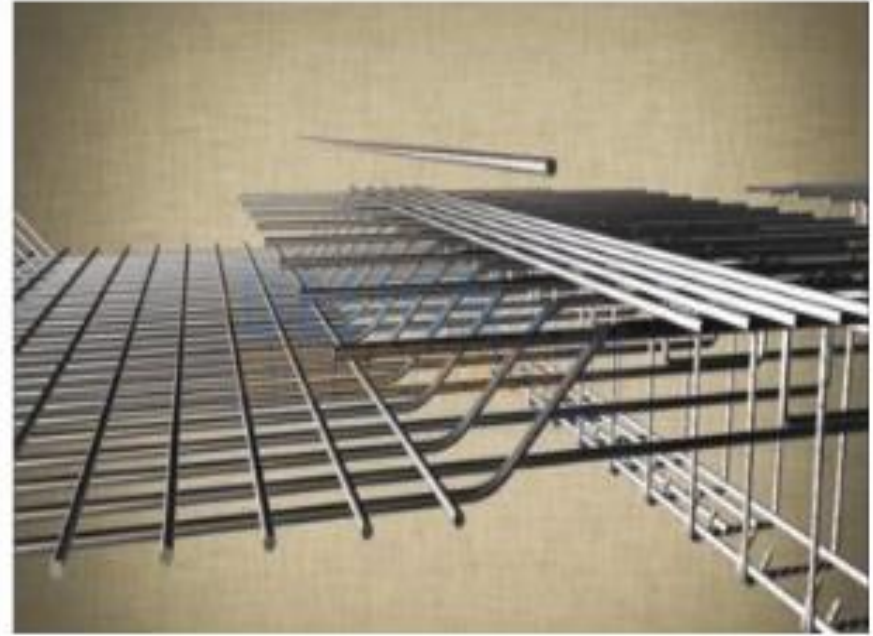
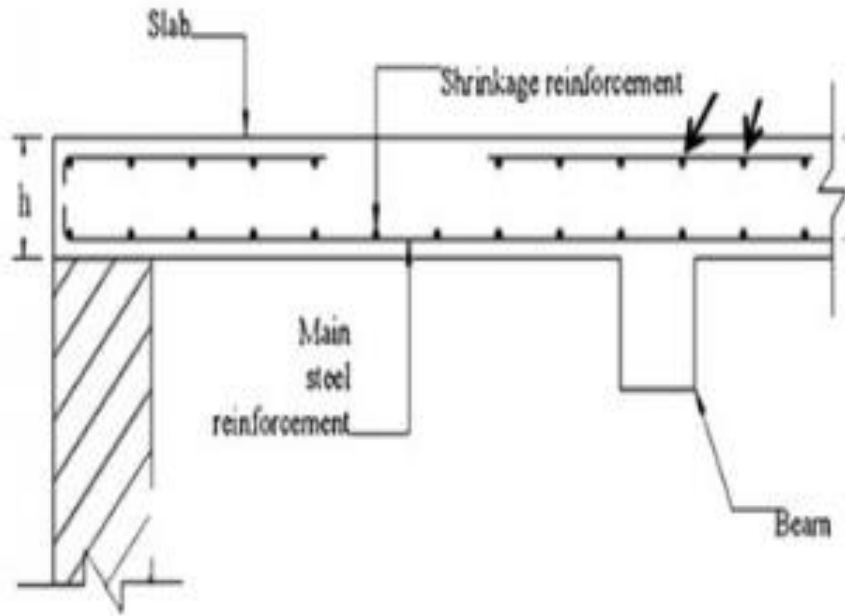
For example, in case of reinforcement details the drawings may include the following:

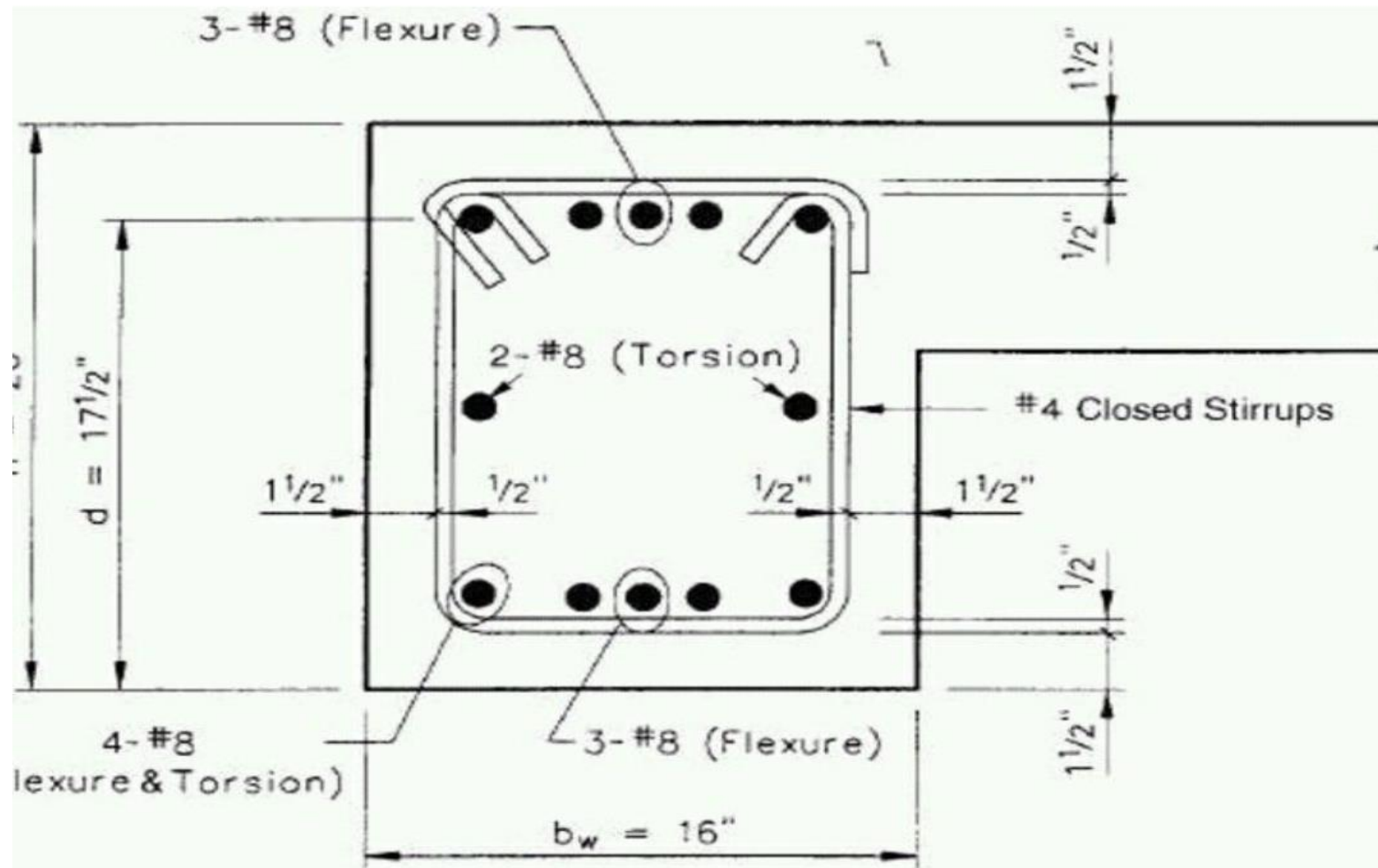
- Bar Number and types
- Bend Shape
- Center to Center Spacing between bars
- Lap Length
- Joint Details
- Minimum clear cover and grade of reinforcement

# STRUCTURAL DRAWINGS



# STRUCTURAL DRAWINGS





**Beam Section**



**Column Footing**

**Thank You**

