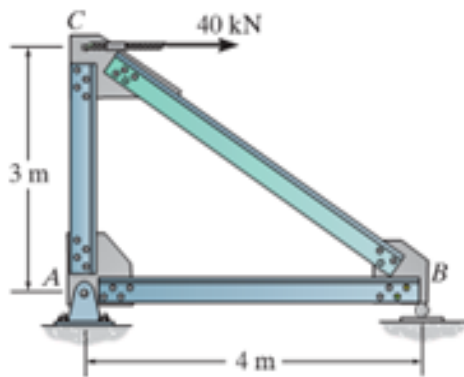


Analysis of Statically Determinate Trusses Assignment

Q1: Determine the force in each member of the truss and state whether it is in tension or compression.



Q2: Determine the force in each member of the truss. Indicate if the members are in tension or compression. Assume all members are pin connected.

