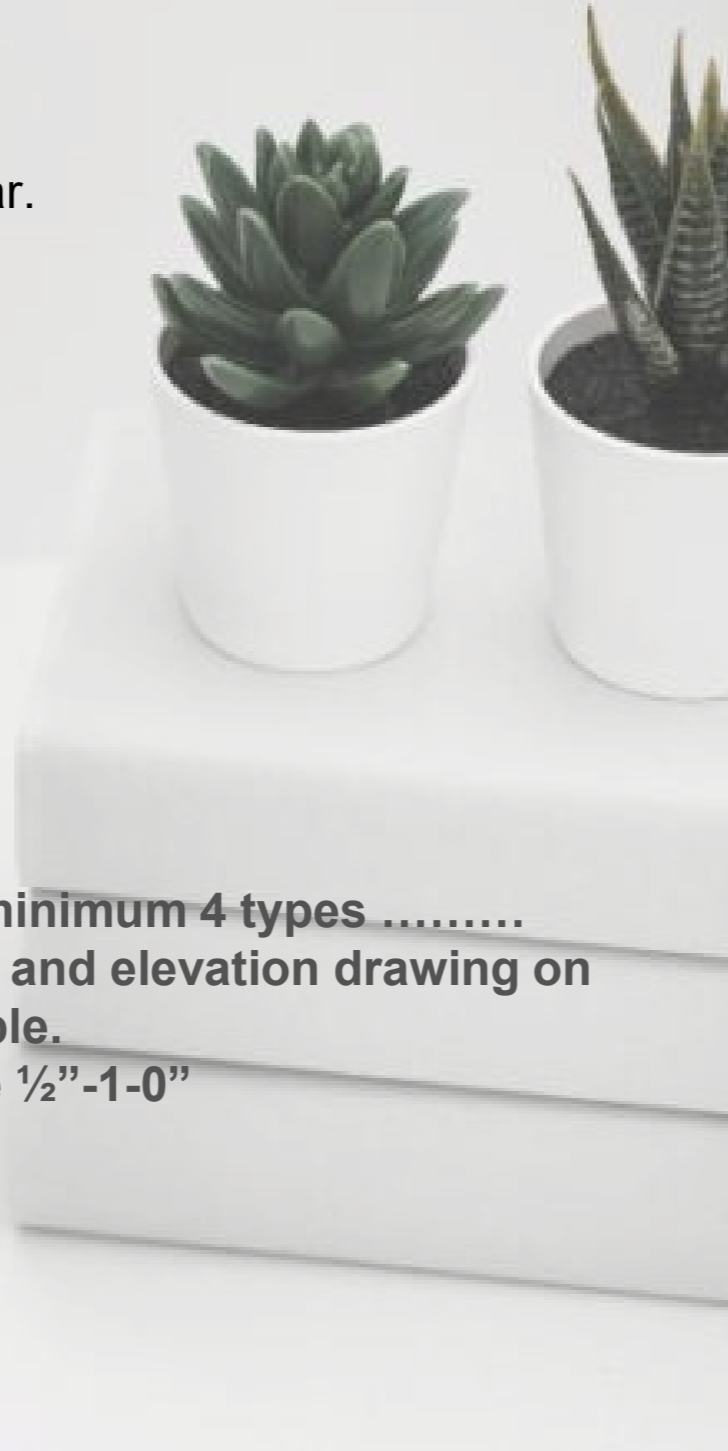




Department of Art and Design
IQRA national University, Peshawar.



Draw a different types of doors minimum 4 types
The Door should be draw in plan and elevation drawing on
graph paper or any paper available.
The scale of the doors should be 1/2"-1-0"

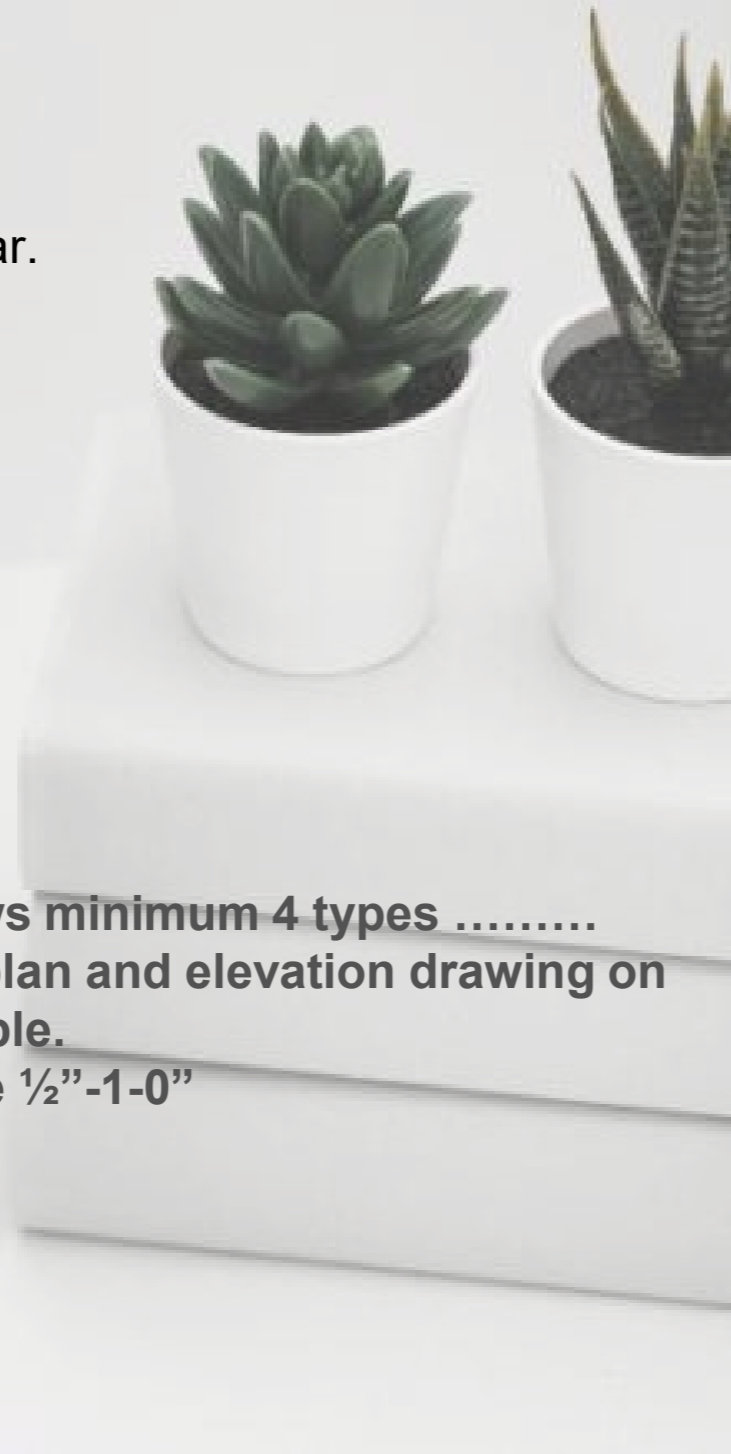
02

Assignment # 2
Summer Session

DOOR TYPES



Department of Art and Design
IQRA national University, Peshawar.



Draw a different types of windows minimum 4 types
The Window should be draw in plan and elevation drawing on
graph paper or any paper available.
The scale of the doors should be 1/2"-1-0"

03

Assignment # 3
Summer Session

WINDOW TYPES



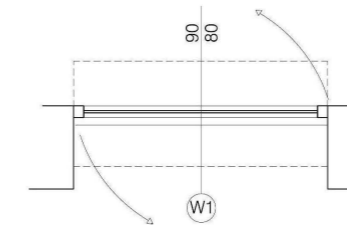
The following pictures is for your reference

Department of Art and Design
Iqra national University, Peshawar.

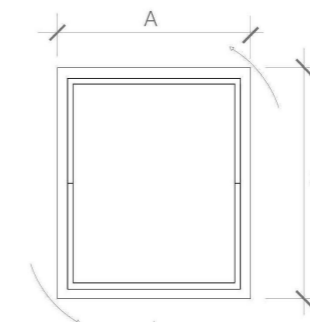
Title block should be well formulated regarding visual and graphics communication and must contains the following information...

- 1) **Assignment Title** : Door Types/Window Types
- 2) **Assignment No**: 01
- 3) **Student Name**:
- 4) **Students ID**:
- 5) **Subject** : Interior Drawing II
- 6) **Class Code**.....
- 7) **Date**:

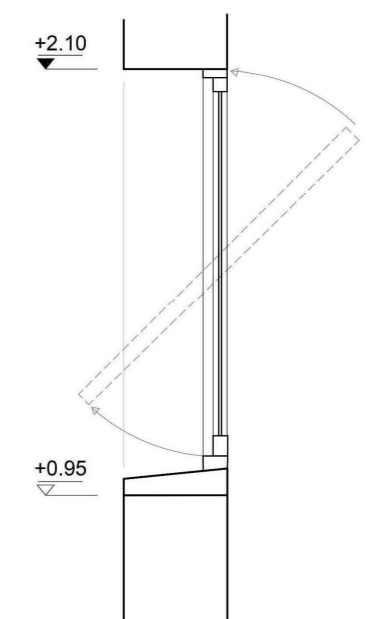
Awning Window Plan



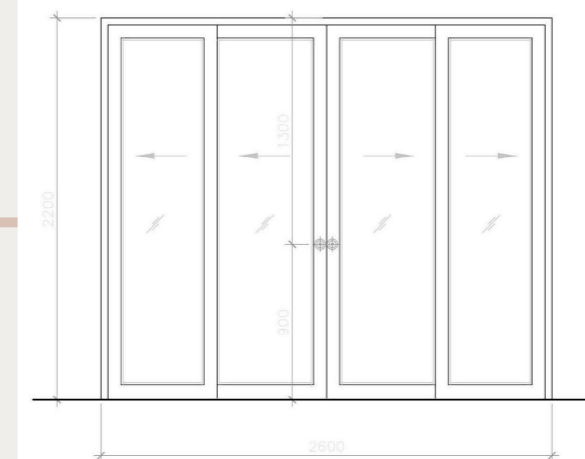
Awning Window Elevation



Awning Window Section



Sliding Door Elevation



Sliding Door Plan

