

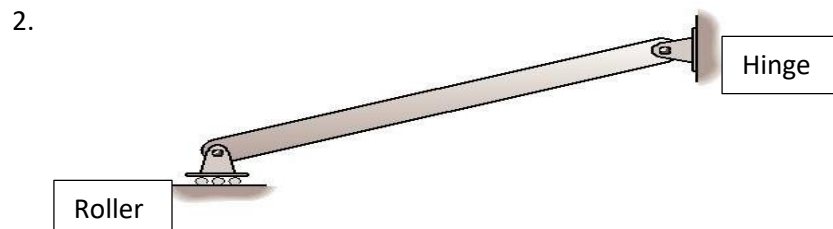
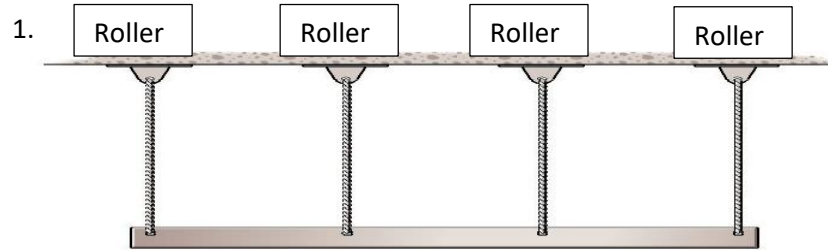
Assignments (1+2+3)

Assignment 1

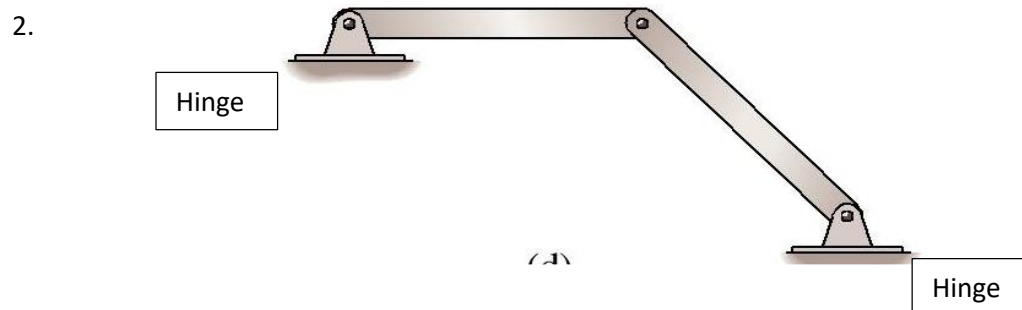
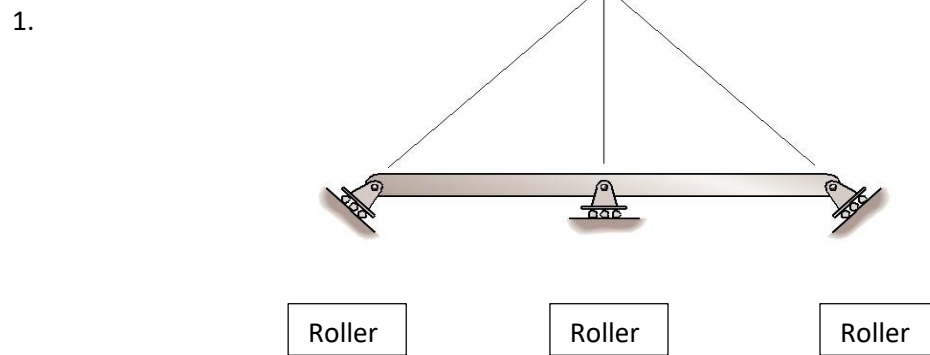
Subject: Theory of Structure 2

(B. Tech Civil)

1. Classify each of the structures as statically determinate, statically indeterminate or if unstable, specify degree of indeterminacy if applicable.



Assignment 2



Assignment 3

Determine the slope and deflection at point B of the steel beam shown in Fig. 8-24a. The reactions have been computed. $E = 200 \text{ GPa}$, $I = 475(10^6) \text{ mm}^4$.

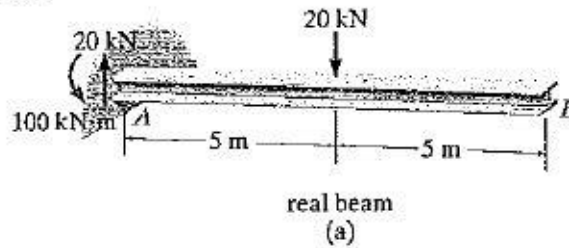


Fig. 8-24