

# Lab 6: Multiplexer

## *DIGITAL LOGIC DESIGN*

Submitted to :

*Sir. Muhammad Amin*

Submitted by :

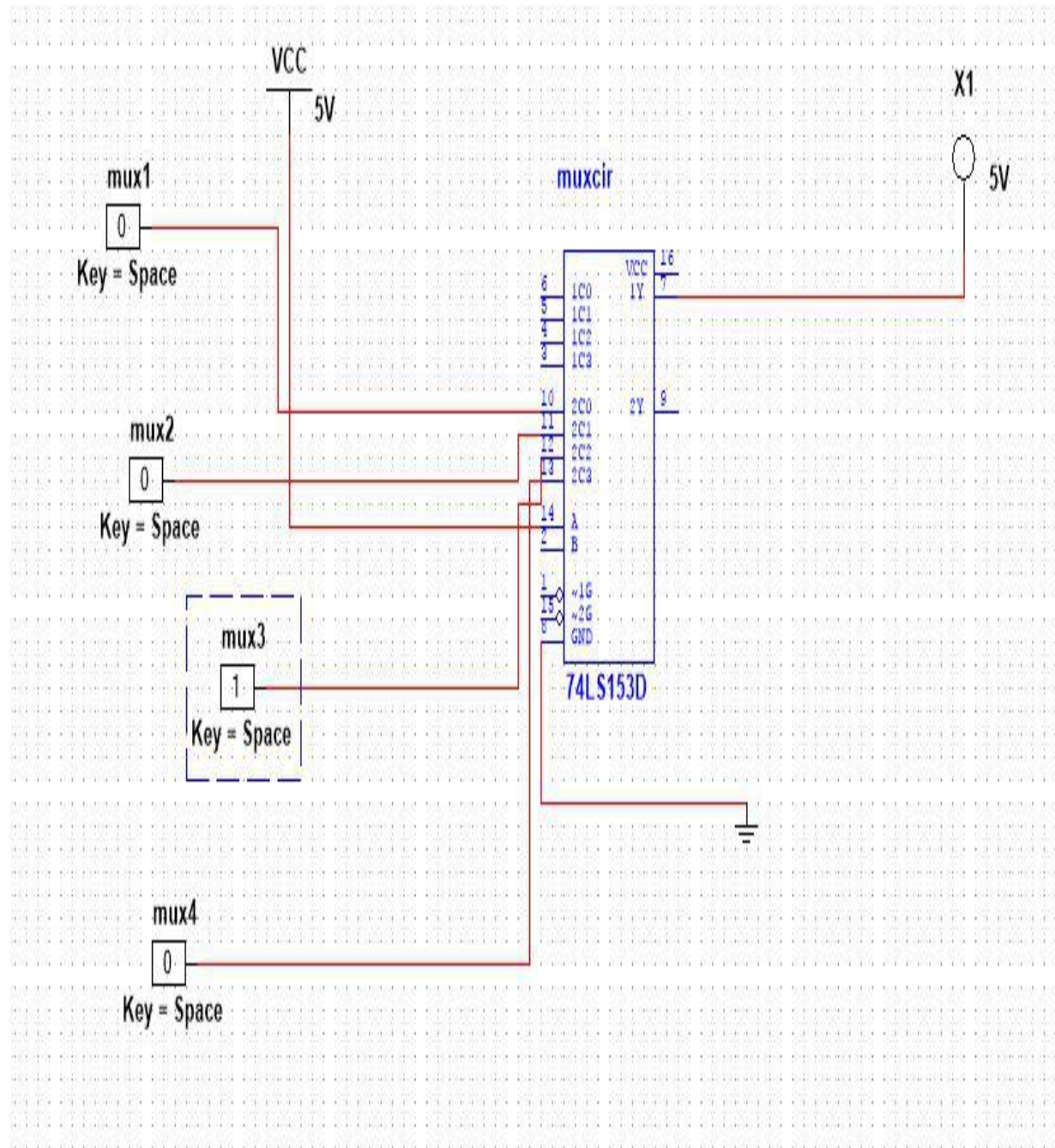
*Muhammad Hamza*

*ID = 13136*

*BS (SE) Section B (8<sup>th</sup> semester)*



## To the Truth Table of 4:1 Multiplexer using IC 74153.



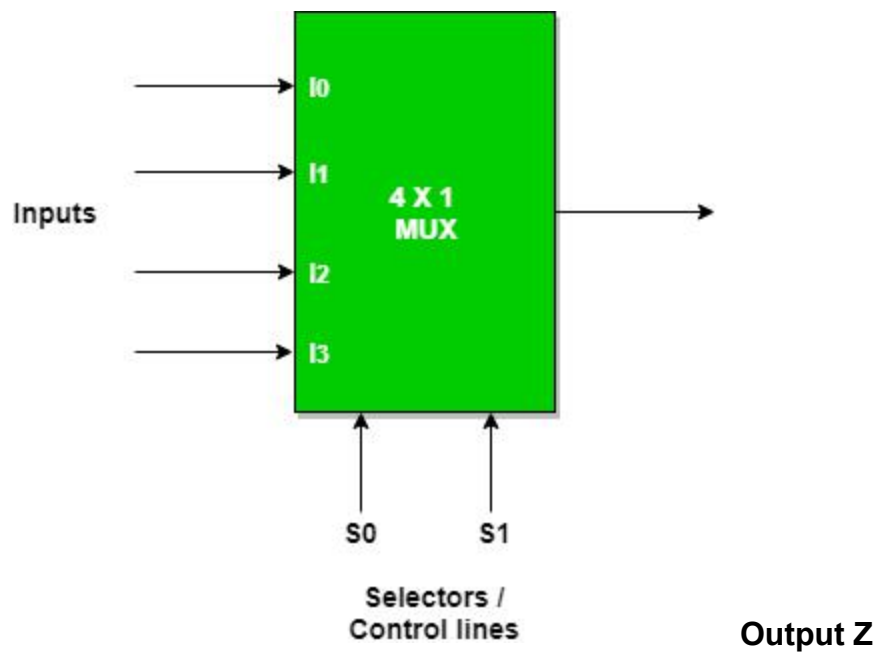
Observation Table:

Input Lines: I3,I2, I1 ,I0 Select Lines: S1, S0 Output Variable:

Z LED ON: RED Light:

Logic 1 LED OFF:

Green Light: Logic 0



Select Lines		Output
S1	S0	Z
0	0	Green light
0	1	off
1	0	Red light
1	1	off