

Router0

Physical **Config** CLI Attributes

Serial0/0/1

Port Status On

Duplex Full Duplex

Clock Rate 2000000

IP Configuration

IP Address 192.168.4.1

Subnet Mask 255.255.255.0

Tx Ring Limit 10

Router2

Physical **Config** CLI Attributes

Serial0/1/1

Port Status On

Duplex Full Duplex

Clock Rate 2000000

IP Configuration

IP Address 192.168.1.2

Subnet Mask 255.255.255.0

Tx Ring Limit 10

Router4

Physical **Config** CLI Attributes

Serial0/0/1

Port Status On

Duplex Full Duplex

Clock Rate 2000000

IP Configuration

IP Address 192.168.4.2

Subnet Mask 255.255.255.0

Tx Ring Limit 10

Router1

Physical **Config** CLI Attributes

Serial0/1/0

Port Status On

Duplex Full Duplex

Clock Rate 2000000

IP Configuration

IP Address 192.168.2.2

Subnet Mask 255.255.255.0

Tx Ring Limit 10

Router3

Physical **Config** CLI Attributes

Serial0/0/0

Port Status On

Duplex Full Duplex

Clock Rate 2000000

IP Configuration

IP Address 192.168.3.2

Subnet Mask 255.255.255.0

Tx Ring Limit 10

Equivalent IOS Commands

```

Router(config-if)#
Router(config-if)#exit
Router(config)#interface Serial0/0/1
Router(config-if)#ip address 192.168.4.2 255.255.255.0
Router(config-if)#ip address 192.168.4.2 255.255.255.0
Router(config-if)#
  
```

Equivalent IOS Commands

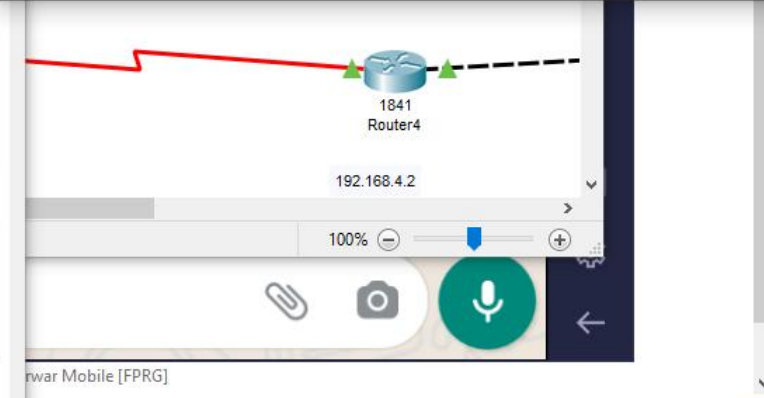
```

Router>enable
Router#
Router#configure terminal
Enter configuration commands, one per line. End with CNTL/Z.
Router(config)#interface Serial0/1/0
Router(config-if)#
  
```

Equivalent IOS Commands

```

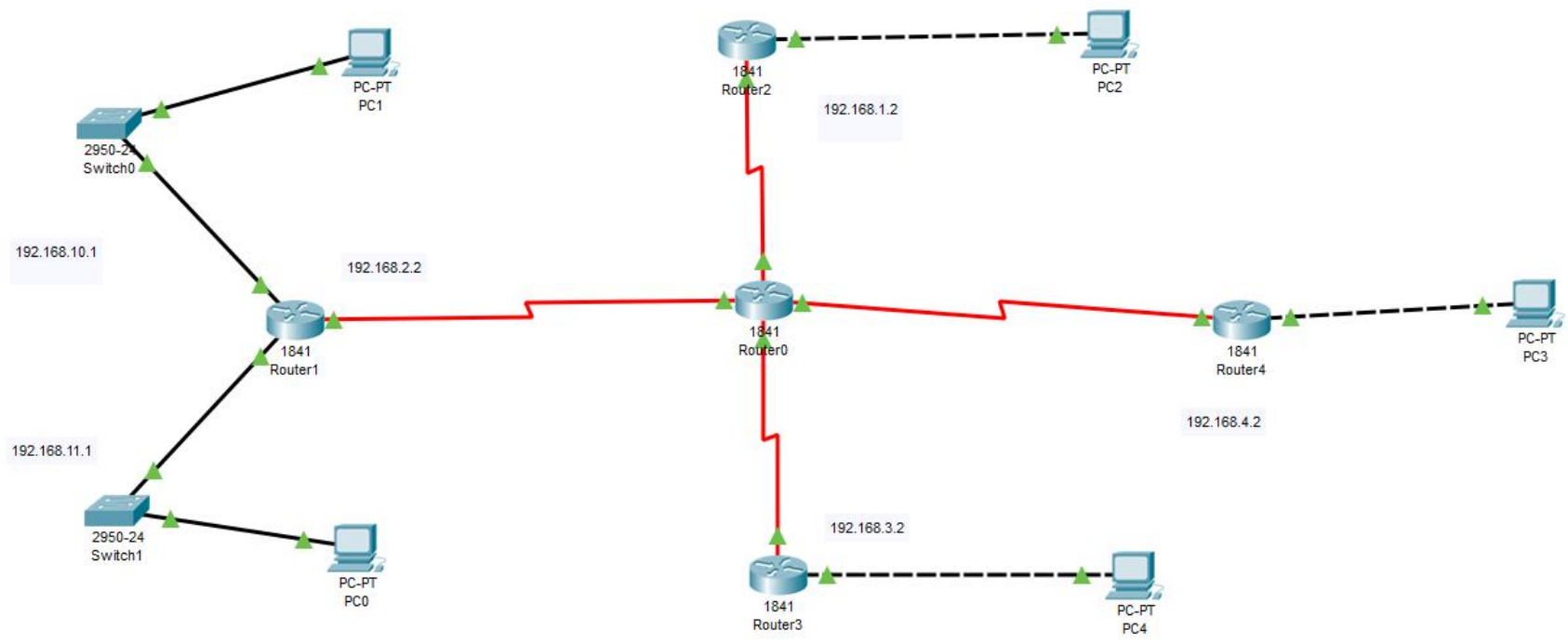
Router(config)#interface Serial0/0/0
Router(config-if)#
Router(config-if)#exit
Router(config)#interface Serial0/0/0
Router(config-if)#ip address 192.168.3.2 255.255.255.0
Router(config-if)#
  
```

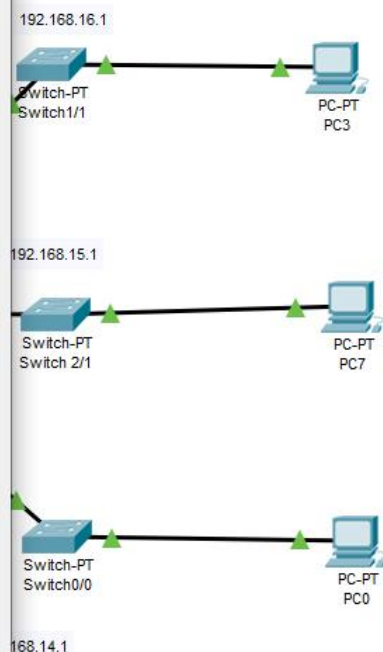
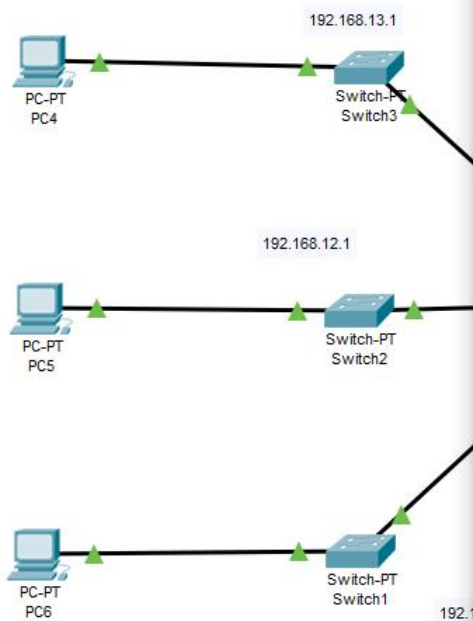


Dirilis Ertugrul Season 4 Episode 42b in Urdu Subtitle

The image displays four overlapping configuration windows for different PCs in a network simulator. Each window is titled 'Config' and shows the settings for the 'FastEthernet0' interface.

- PC1:**
 - Port Status: On
 - Bandwidth: 100 Mbps (selected), 10 Mbps, Auto
 - Duplex: Half Duplex, Full Duplex (selected), Auto
 - MAC Address: 00D0.BC12.128D
 - IP Configuration: DHCP, Static (selected)
 - IP Address: 192.168.0.1
 - Subnet Mask: 255.255.255.0
- PC0:**
 - Port Status: On
 - Bandwidth: 100 Mbps (selected), 10 Mbps, Auto
 - Duplex: Half Duplex, Full Duplex (selected), Auto
 - MAC Address: 000A.F365.32D3
 - IP Configuration: DHCP, Static (selected)
 - IP Address: 192.168.0.1
 - Subnet Mask: 255.255.255.0
- PC2:**
 - Port Status: On
 - Bandwidth: 100 Mbps (selected), 10 Mbps, Auto
 - Duplex: Half Duplex, Full Duplex (selected), Auto
 - MAC Address: 000C.CFC5.A443
 - IP Configuration: DHCP, Static (selected)
 - IP Address: 192.168.0.2
 - Subnet Mask: 255.255.255.0
 - IPv6 Configuration: DHCP, Auto Config, Static (selected)
 - IPv6 Address: [Empty]
 - Link Local Address: FE80::20C:CFF5:FECS:A443
- PC4:**
 - Global Settings:
 - Display Name: PC4
 - Interfaces: FastEthernet0
 - Gateway/DNS IPv4: DHCP, Static (selected)
 - Gateway: [Empty]
 - DNS Server: [Empty]
 - Gateway/DNS IPv6: DHCP, Auto Config, Static (selected)
 - IPv6 Gateway: [Empty]





Router1

Physical Config CLI Attributes

GLOBAL

- Settings
- Algorithm Settings
- ROUTING**
- Static
- RIP
- INTERFACE**
- FastEthernet0/0
- FastEthernet1/0
- FastEthernet2/0
- Serial3/0
- FastEthernet4/0
- FastEthernet5/0

FastEthernet0/0

Port Status On

Bandwidth 100 Mbps 10 Mbps Auto

Duplex Half Duplex Full Duplex Auto

MAC Address 00E0.8FED.8461

IP Configuration

IP Address 192.168.11.1

Subnet Mask 255.255.255.0

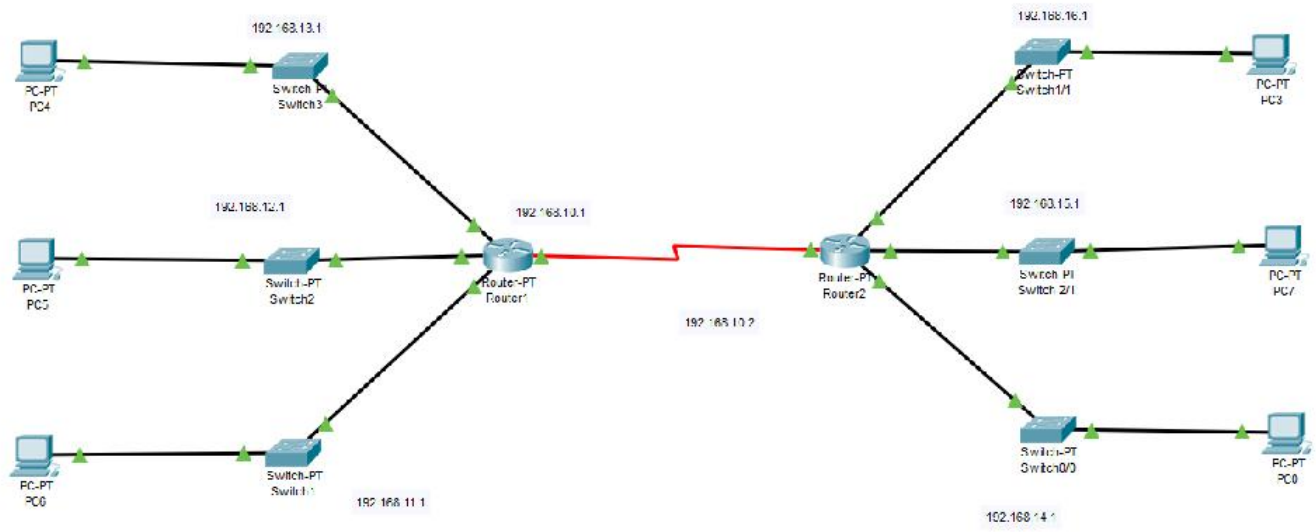
Tx Ring Limit 10

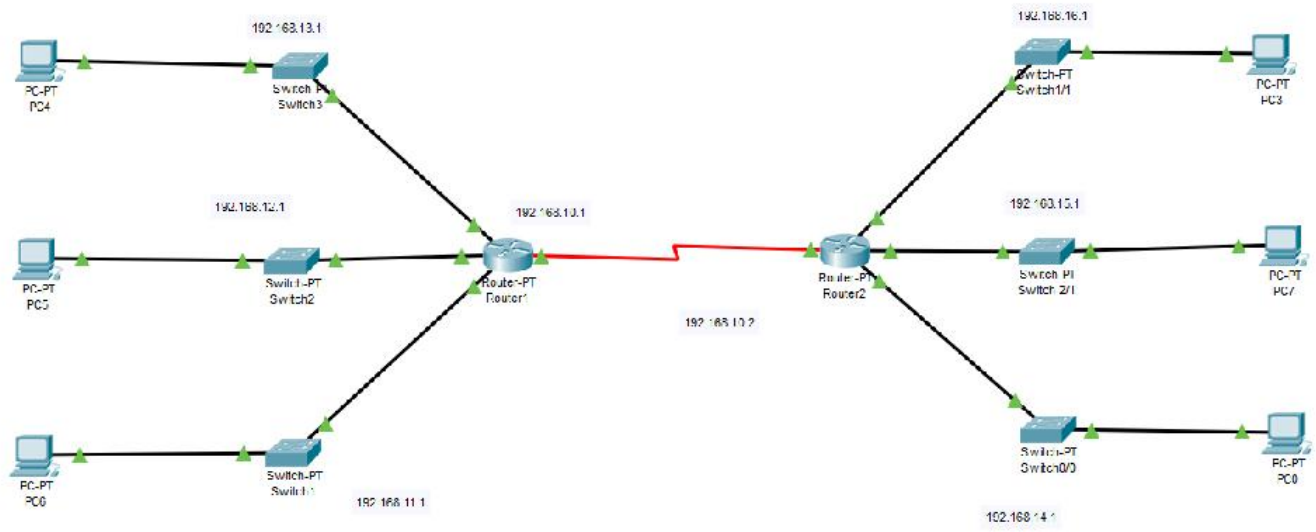
Equivalent IOS Commands

```
Router>enable
Router#
Router#configure terminal
Enter configuration commands, one per line. End with CNTL/Z.
Router(config)#interface FastEthernet0/0
Router(config-if)#
```

Top







shahab zaib
14590
com and net
(lab Computer
science)