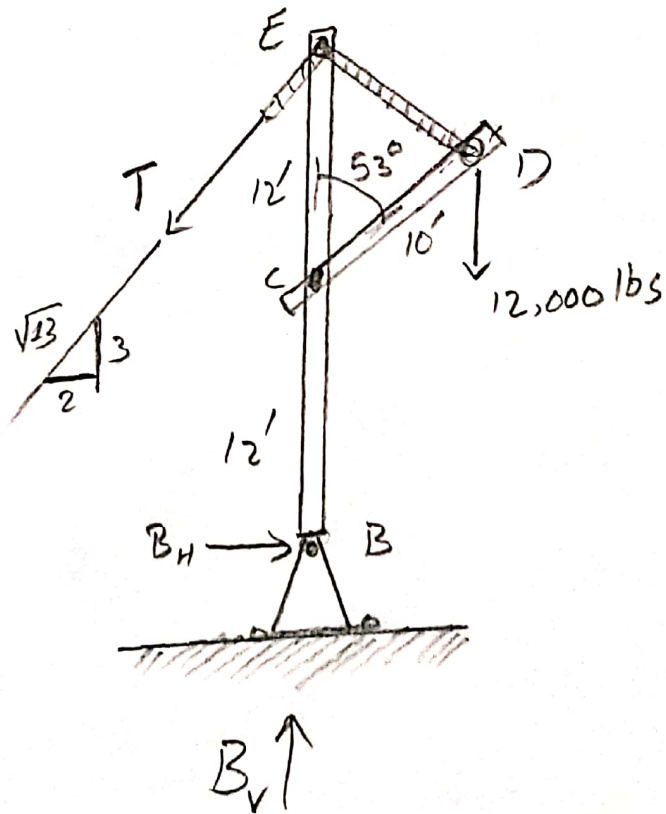


Sol



Page
2

Assignment

ID = 13639

Prob 007

1

Sol

$$\sum M_B = 0$$

$$24 \left(\frac{2}{\sqrt{13}} T \right) = 12000 (10 \sin 53^\circ)$$

$$T = 7198.80 \text{ lb}$$

$$\sum F_H = 0$$

$$B_H = \frac{2}{\sqrt{13}} T$$

$$B_H = \frac{2}{\sqrt{13}} (7198.81)$$

$$B_H = 3993.18 \text{ lb}$$

$$\sum F_V = 0$$

$$B_V = \frac{3}{\sqrt{13}} T + 12000$$

$$B_V = 17989.77 \text{ lb}$$

AWS