

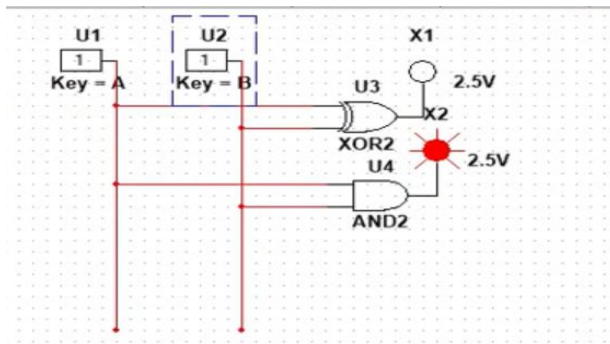
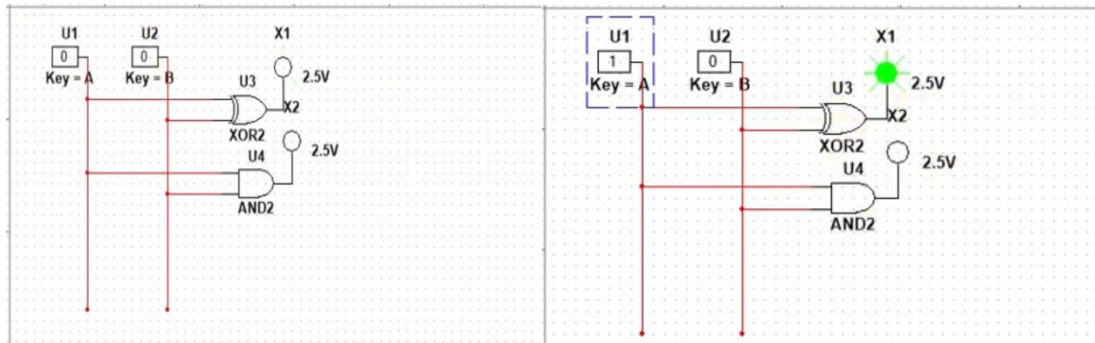
NAME Qamar zaib

ID 15393

Course DLD practical

Exm final -term

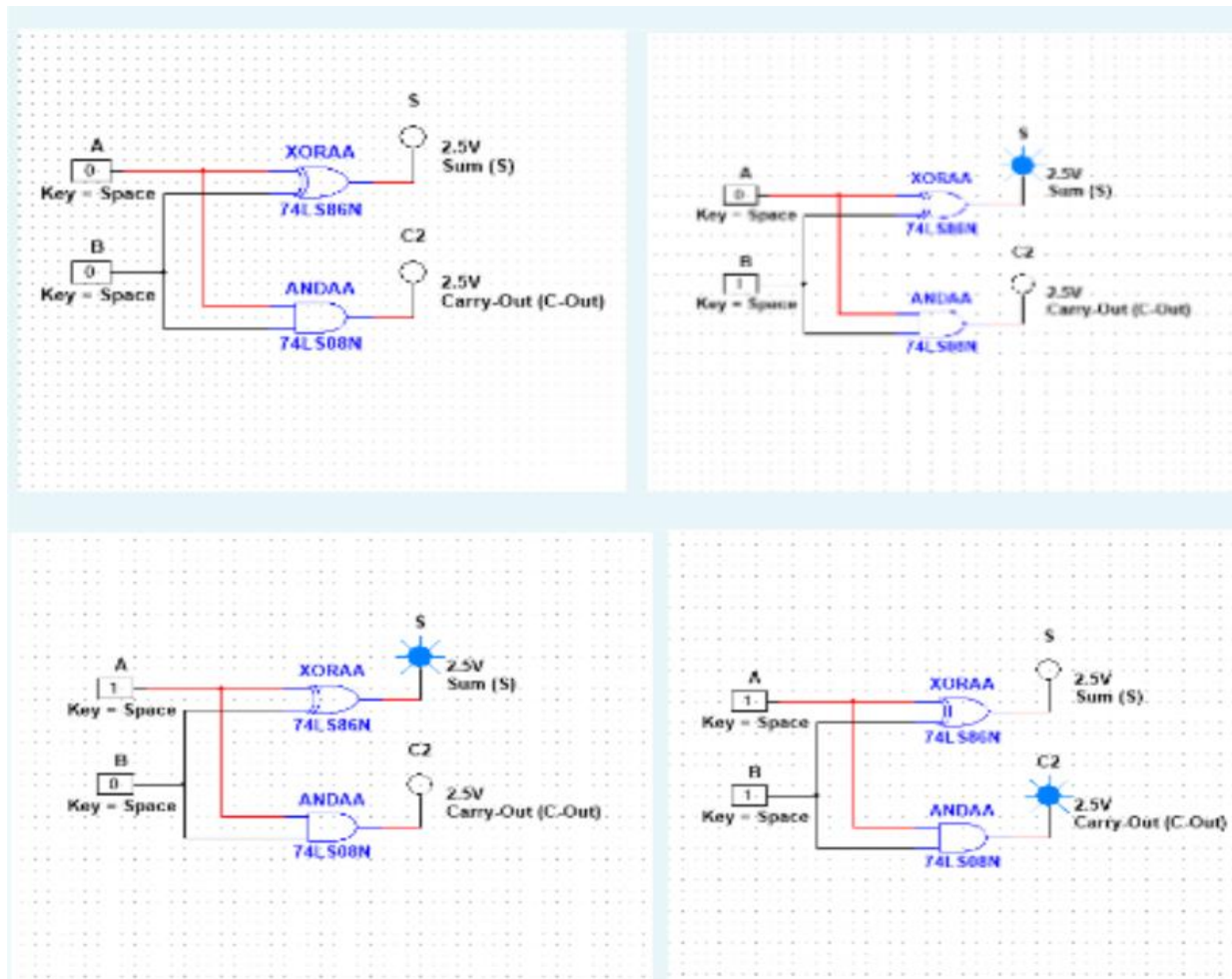
Q#1(a)



Truth Table

Inputs		Outputs	
A	B	SUM (S)	Carry (C)
0	0	0	0
0	1	1	0
1	0	1	0
1	1	0	1

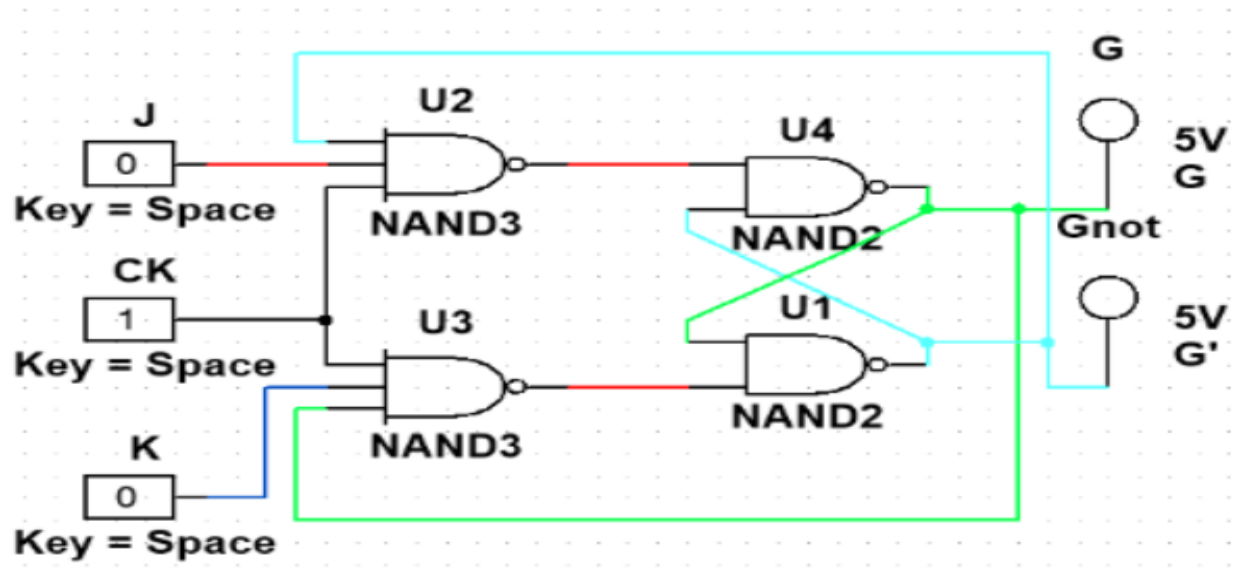
Q#1(b)



Truth Table

A	B	D	B.
0	0	0	0
0	1	1	1
1	0	1	0
1	1	0	0

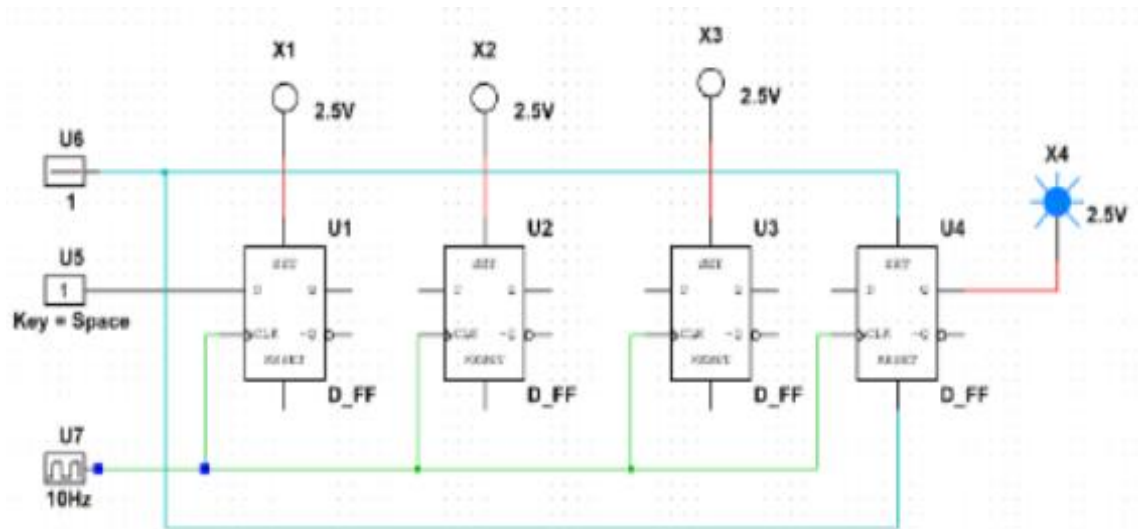
Q#1(c)



Truth table

CK	J	K	Q	<u>Q</u>
1	0	0	-	-
1	0	1	0	1
1	1	0	1	0
1	1	1	0	1

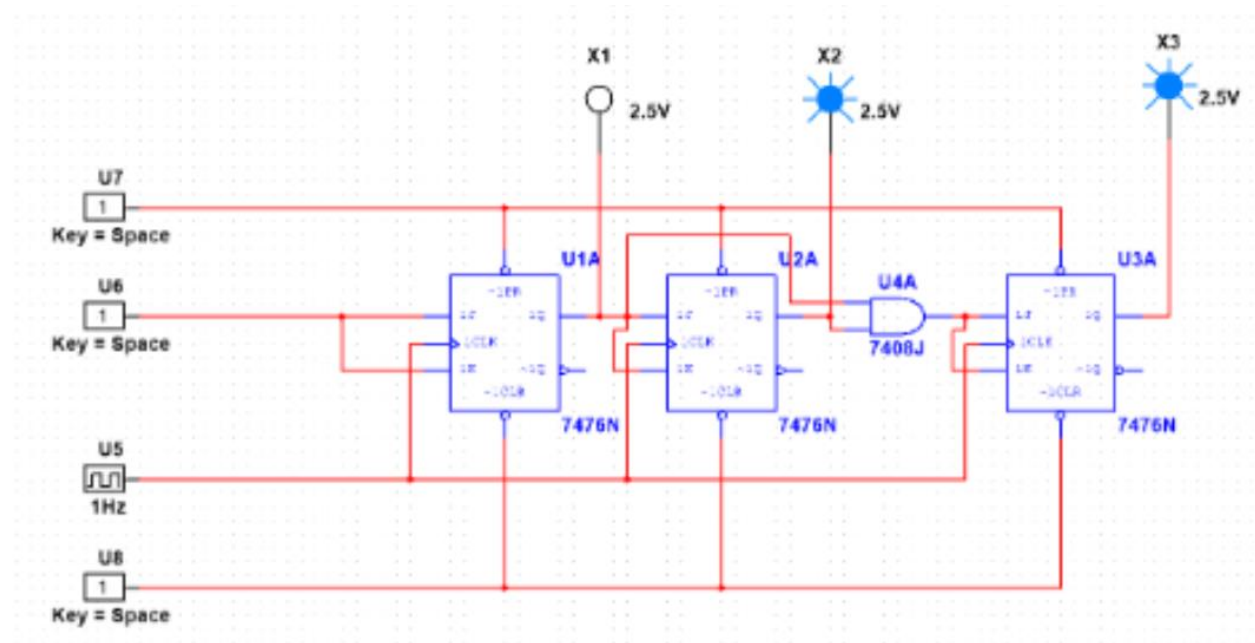
Q#1(d)



Truth table

CLK	Q ₀	Q ₁	Q ₂	Q ₃
initial	0	0	0	0
1	0	0	0	0
2	1	0	0	0
3	0	1	0	0
4	1	0	1	0

Q#1(e)



Truth table

CLK	Q ₀	Q ₁	Q ₂
Initial	0	0	0
1	0	0	1
2	0	1	0
3	0	1	1
4	1	0	0
5	1	0	1
6	1	1	0
7	1	1	1
8 (Recycles)	0	0	0