

	Name	Fawad Ahmad
	ID	13784
	Program	BS DT
	Department	AHS
	Assignment	Maxillofacial Surgery
instrument	Topics	All dental hand
	Instructor	Mam Natasha Kamran

Dental Unit:



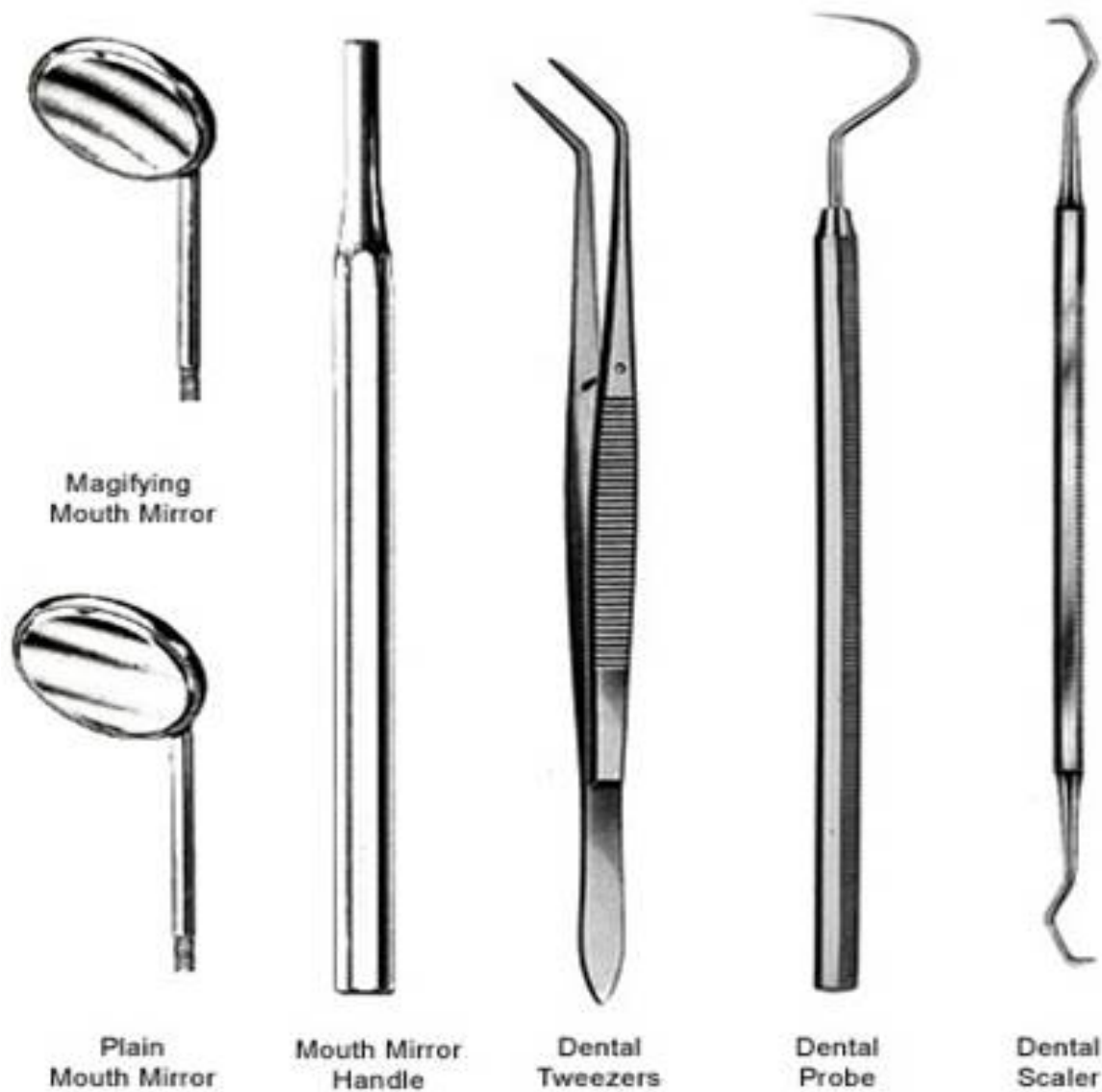
Q.1: Enumerate all hand instruments used in the dental clinic along with their uses in detail and diagrams.

Ans:

- Dental instruments are tools that dental professional which used to provide the dental treatment. They tools that include to examine, treat, restore, manipulate, and remove the teeth and surrounding structure.

Examination Instruments:

- These tools which allow the dental professional to manipulate tissue for better visual access during treatment for during dental examination.



Dental mouth mirror:

- Dental mirror are used by the dentist or dental auxiliary can used to mirror view to image the teeth in location of the mouth where visibility is difficult or impossible. They are also used to reflecting light on to the desired surface and to retracting soft tissue.



Dental probe:

- Locate calculus
- Evaluate gingival bleeding on probing
- Measure the width of attached gingivae
- Measure and location of furcation involvement
- Measure the pocket depth and clinical attachment level
- Assess the periodontal status for preparation of treatment plan. Determine relationship to the gingival margin mucogingival junction and attachment level



Dental tweezer or cotton plier:

- They hold to cotton roll

- To hold the different material
- They can used to transfer the item or material from one place to another
- They used to the treatment of endodontics such as GP gutta-percha or and cotton roll
- To place and remove the small object from the oral cavity.



Retractor:

- Mouth probe
- Dental mirror
- Cheek retractor
- Tongue retractor
- Lip retractor



Dental hand piece:

- A dental drill or dental hand piece is a hand-held mechanical instruments used to perform a variety of common dental procedure, including removing decay, polishing fillings and altering prosthesis





Dental burr:

- Dental burr are used for cutting hard tissue, tooth or bone. They are made of stainless steel, tungsten carbide and diamond grit there can be a bewildering range of dental burr in any dental catalogue but for basic veterinary which used only a few burs are needed. All burs have shank and as head.

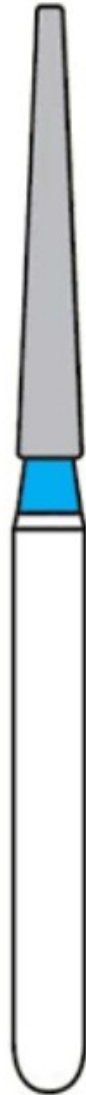


Types of burs:

- **Diamond burs:** most often used for cutting through porcelain, polishing
- **Carbide burs:** most often used for preparing cavities for fillings, shaping bone, removing old fillings.
- **Ceramic burs:** most often used for, adjusting acrylic pieces.
- **Steel burs:** removing dentin, cavities preparation

Fissure burs:

- A cylindrical or tapered rotary cutting tool intended for extended or widening fissure in a tooth, as for general surface reduction of tooth substance



ISO
173/014

TF-11

Operative burs:

- Round, tapered, chamfer, flame, bevel, end cut, flat fissure, pear shaped, football, bud bur, diamond brown stone, green stone, inverted cone, steel.

Restorative Instrument:



Excavators:

- **Spoon excavators:** they used to remove soft carious decay.
- **Half Hollenbeck:** They used to test for overhangs or flash

- **Dental hatchers:** used to widen the entrance of the tooth cavity and slice away the thin carious enamel



Chisels:

- **Straight:** - bevels the cavosurface margin and used in 3, 4, and 5 classification of cavities on the maxillary
- **Wedelstaedt:** - only used in the anterior for classes 3, 4, and 5 as well.
- **Bin angle:** - This is held in a pen grasp and used for class 2 maxillary only.

Dental Chisels (ID: IT016)



IT016-1



IT016-2



IT016-E3



IT016-E4



IT016-E5



IT016-E6



IT016-E7



IT016-E8

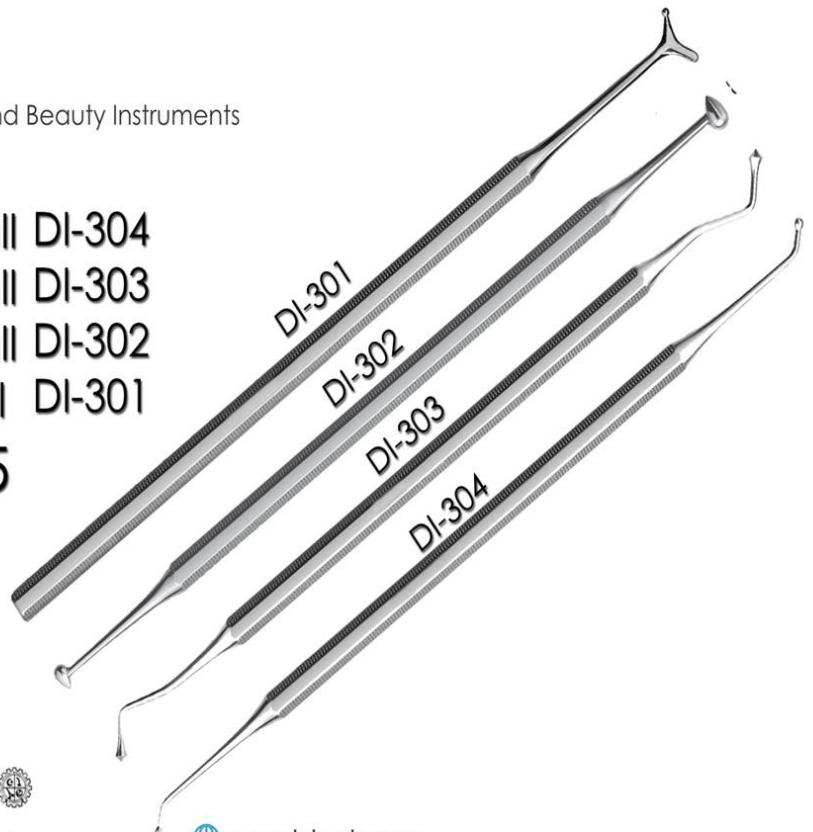
Burnishers:

- Burnishers as used for polishing and contouring amalgam fillings and to polish composite fillings.



Manufacturer of Surgical, Dental and Beauty Instruments

Burnisher Ball DI-304
Burnisher pointed-Ball DI-303
Burnisher Football DI-302
Burnisher T-Ball DI-301
DS-DI-1145



0092 336 4160838 ✉ info@delmaks.com

www.delmaks.com

➤ 0092 336 4160838 ✉ delmaks@skt.comsats.net.pk

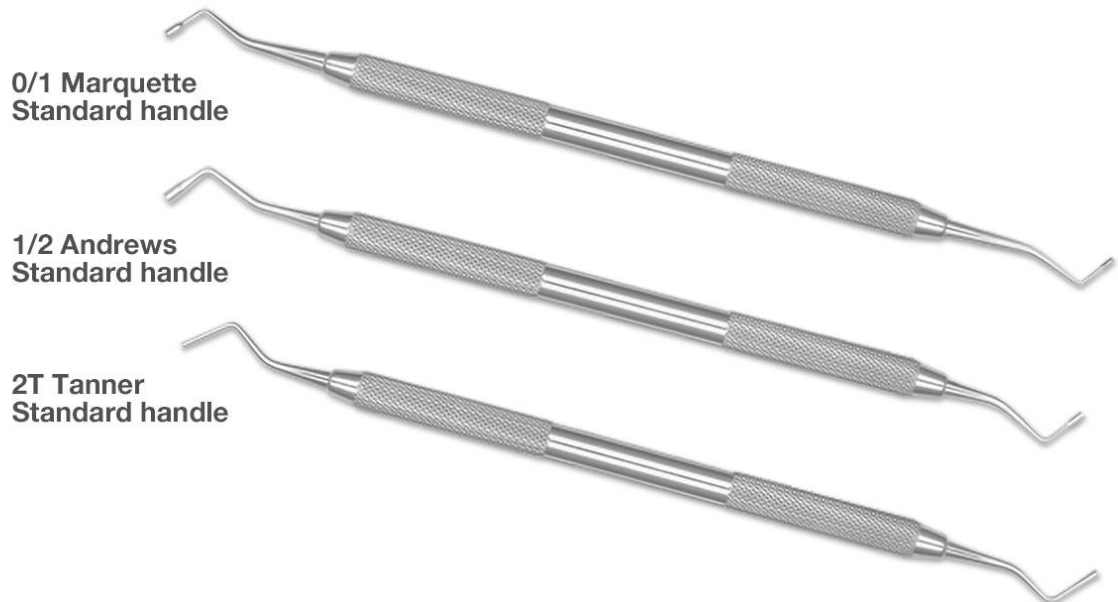
- Ball burnishers
- Flat burnishers

- Cone burnishers
- Beavertail burnishers
- Pear shaped burnishers

Pluggers:

- Pluggers are also known as amalgam condensers. They are used to achieve a well condensed filling by compressing the filling material into the cavity and applying pressure.

Amalgam pressure



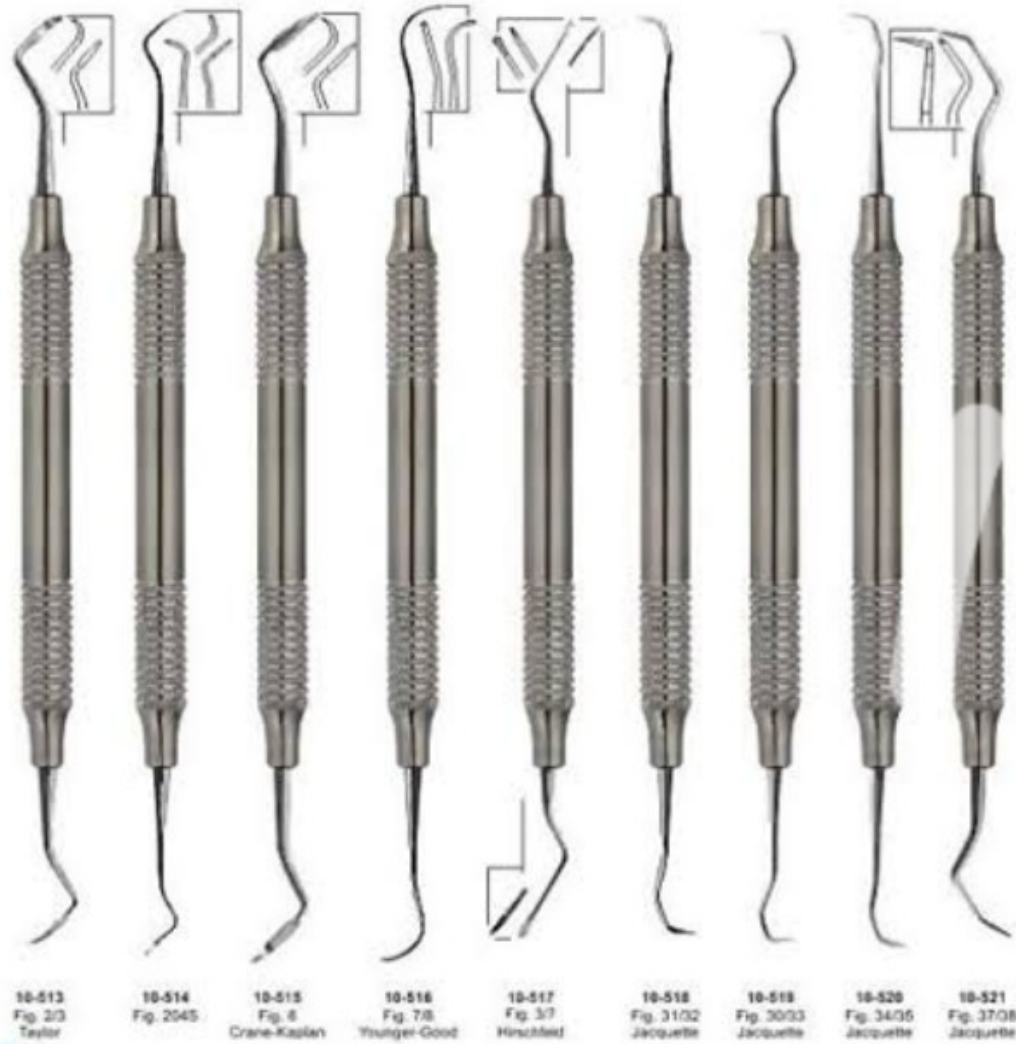
Periodontal Instruments:

- Инструменты пародонтологические
- Instruments pour la parodontologie
- Instrumente für die Parodontologie

- Инструменти пародонтологічні
- instrumentos para periodoncia
- المسكوك اللثة

Curettes & Scalers

Curettes & Scalers Hirschfeld File



61

Fine scalers:

- These are used in the removal of soft deposit They include,
- MF 4/5
- Drury scalers
- Fine excavators

➤ Heavy scalers as seen as the scalers used in the removal for heavy tartar and stain which his not removed by the fine scalers. They include:

- Scaler 152
- Jacquette 1
- Jacquette 2
- Jacquette 3
- Excavator
- Hoe scaler
- Cushion scaler

Curettes

Universal curettes: these have a semicircular tip used at 90 degree to the tooth root surface

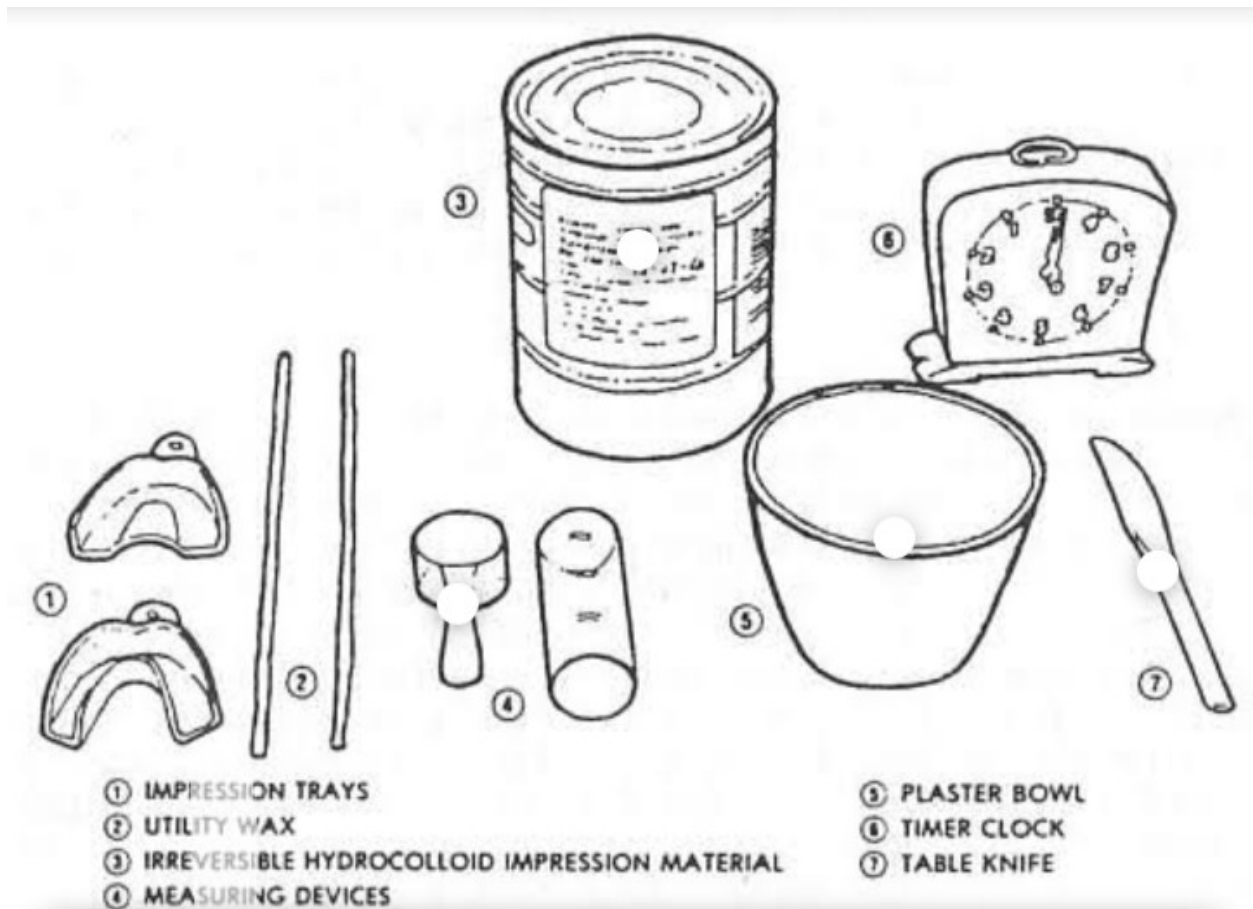
Gracey curettes- semicircle tipped, but one edge lower than the other. At as used at 70 degree to the tooth root surface.

Prosthodontics Instruments:



- Spatula for maxing impression materials
- Spatulas for maxing dental plaster
- Maxing bowels
- Glass maxing slab
- Wax knife
- Wax spatulas
- Wax carver

- Lecrons carver
- Articulator
- Face bow
- Blow torch
- Bunsen burner
- Calipers
- Willis gauge
- Fox plane



Extraction / surgical Instruments:



Dental forceps:

- In 1840 sir john tomes and his friend evrard which made the first pair of dental forceps In 1841,



**Fig.1
Tooth
Forceps
For Upper
Insisors
& Canines**

**Fig.17
Tooth
Forceps
For Right
Upper
Molars**

**Fig. 22
Tooth
Forceps
(Hawk's Bill)
For Lower
molar jaw**

**Fig 73
Tooth
Forceps
For Lower
Molars**

**Fig.67A
Tooth
Forceps
for upper
wisdoms**

**Fig.51L
Tooth
Forceps
for Upper
Roots**

**Fig.51
Tooth
Forceps
For Upper
Roots
Narrow
Beak**

**Fig.301
Root Tip
Forceps
For Lower
Root Tips**

**Fig.221
Witzel
Tooth
Forceps
For Upper
Roots**

**Fig.223
Witzel
Tooth
Forceps
For Lower
Roots**

List of dental forceps:

- Upper universals
- Upper universal fine
- Lower universals
- Upper straight short
- Upper straight long
- Upper canine
- Cow horns #23
- Upper left molar
- Upper right molar
- Upper wisdom tooth greyhound
- Roots
- Bayonet

Elevators:

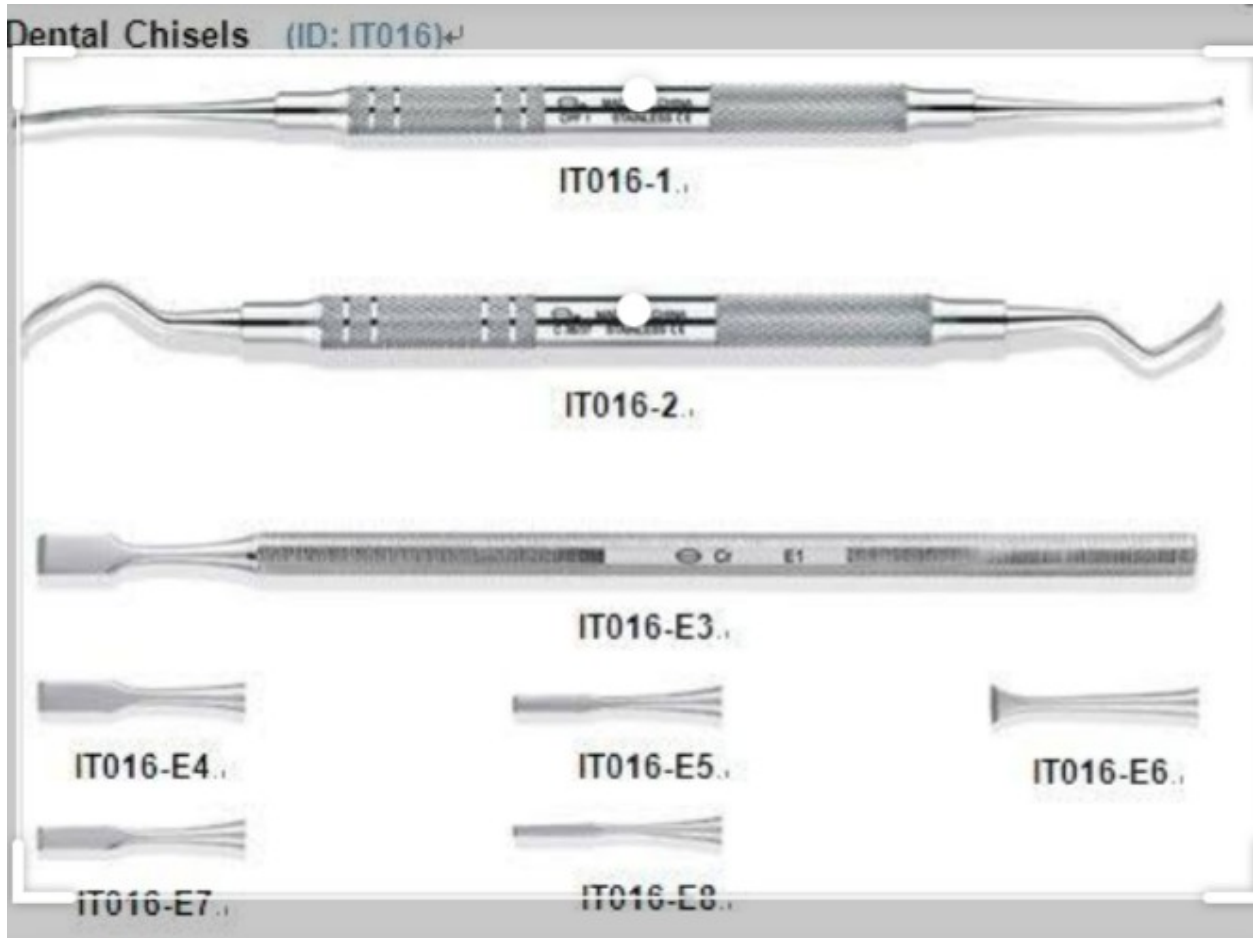


- Narrow and wide, straight and curved luxators
- Coupling elevators
- Cryer elevator
- Winter elevators
- Root tips pick elevators
- Periosteal elevators
- Crane root tip elevators
- Flat elevators
- Potts elevators
- Crossbar apex luxators

- Millers apex luxators

Chisel

- Osteotome



Basic extraction setup

- Local anesthesia- syringe, needles, and cartridges.
- Mouth mirror
- cotton plier
- sterile gauze

- surgical aspirating tip
- straight elevators
- periosteal elevators
- surgical curettes
- hemostat
- Extraction forceps

Orthodontics Instruments:

- Ligatures
- Bracket holder
- Distal end cutter
- Hemostat
- Mathieu pliers
- Band setter
- Band pushers
- Bird beak pliers
- bracket tweezer
- cinch back
- Tucker

ORTHODONTIC ARCHWIRE KIT



DISTAL END CUTTER TC



WEINGART PLIERS



BIRD BEAK PLIERS



MOUTH MIRROR & HANDLE



SCALER/CURRETTE U1530



METHIEU NEEDLE HOLDERS



BRACKET TWEEZERS



Endodontics Instruments:

➤ Endodontics files and reamers are surgical instruments used by dentist and dental professional when performing root canal treatment. These tools are used to clean and shape the root canal.

- k-files
- NiTi flex files
- Hedstrom or h-files
- Rotary tapered files
- Manual tapered files
- Controlled memory flexible files
- Gated Glidden burs
- Peeso reamer burs
- Round burs
- Gutta-percha retrieval burs
- Finger pluggers
- Finger spreader
- Endodontics excavators
- Endodontics explorer
- Rubber stop
- Endodontic motor
- Apex locator





End
Thank You