

ASSIGNMENT

Name:-

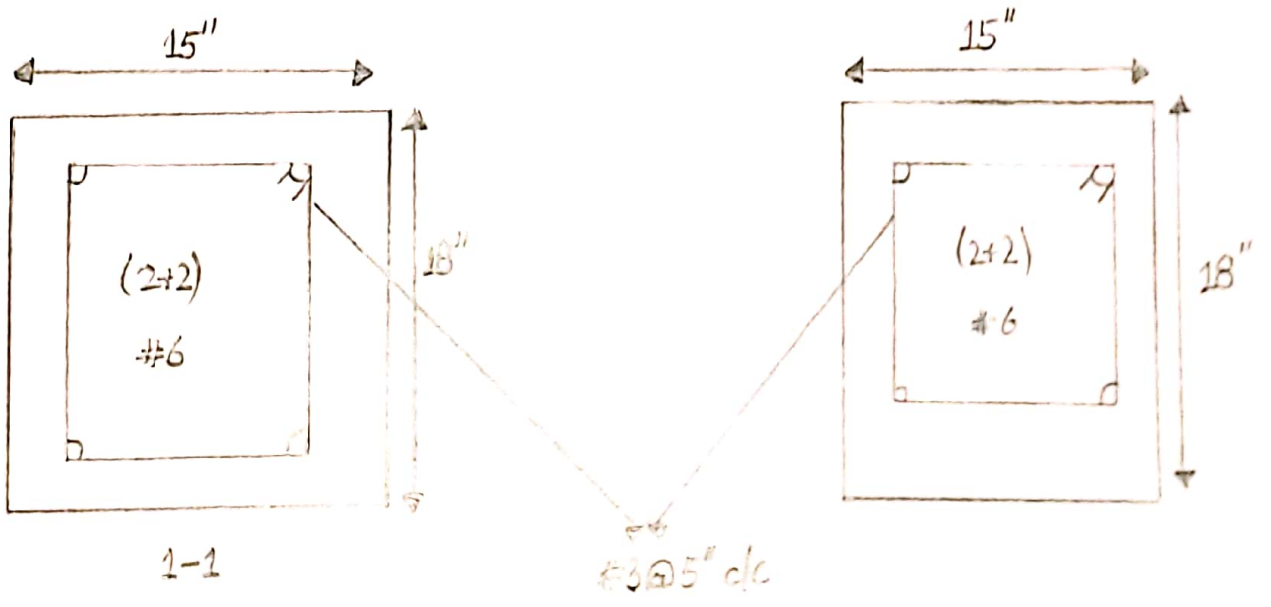
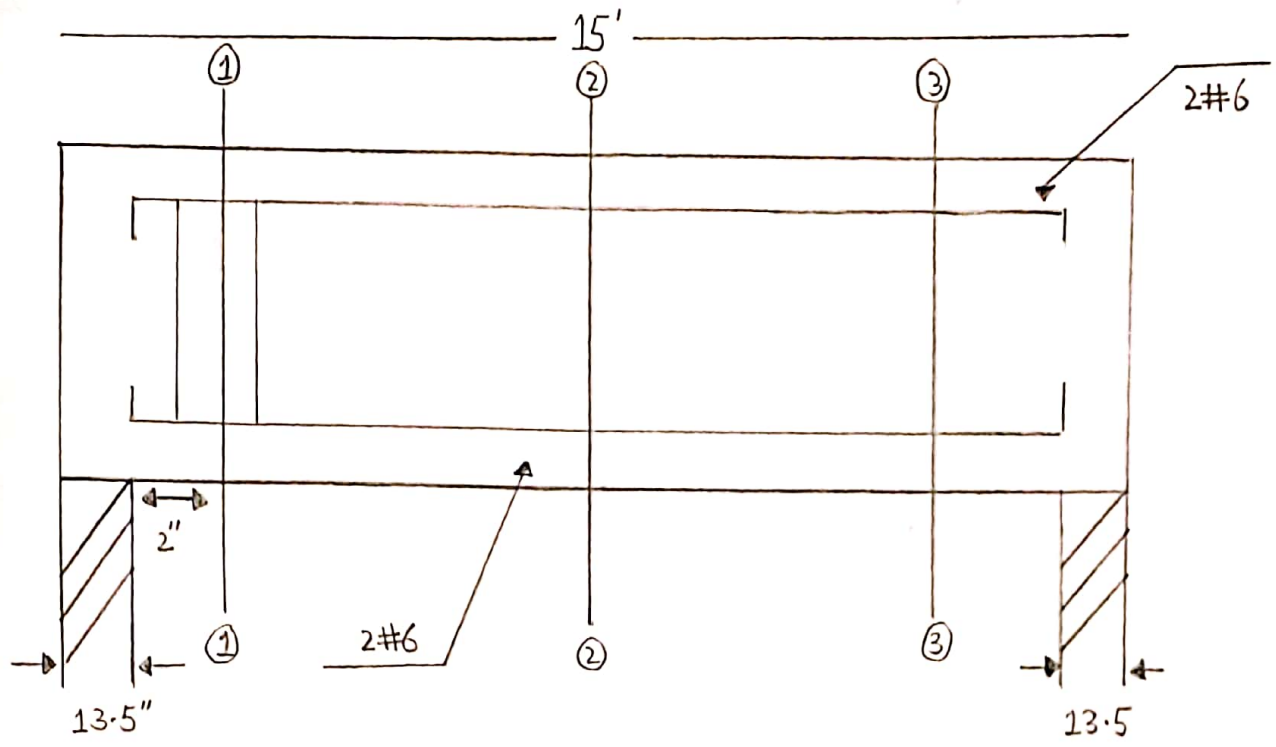
M. Aissalan

I. D :-

14506

Subject:-

Quantity Surveying and Contract Document



-: MEASUREMENT SHEET :-

Item No	Description	No	Length (m)	Width (m)	Height (m)	Quantity
1	Rainforced concrete (1:2:4) L = 4.5 meters B = 0.38m H = 0.4m	1	4.5	0.38	0.4	0.684 m ³
2	Fornwork for beam					
	Bottom	1	3.89m	0.38	-	1.47 m ²
	Sides	2	4.5m	-	0.4	(0) 1.8 m ²
	Ends	2	-	0.38	0.4	0.152 m ²

Note:-

$$1' = 0.30m$$

$$15' = 4.5m$$

(Straight Bar)

$$\text{Total length of bar} = \text{straight length} + 2(9 \times d)$$

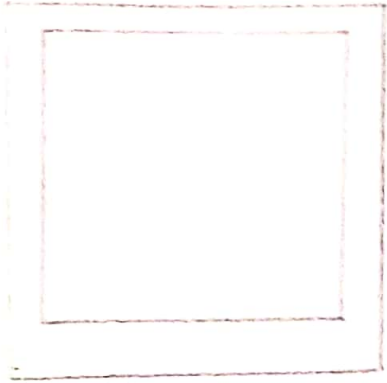
3. Weight of steel (in kg)

A	20mm \emptyset Straight bars $L = 4.5 + 2(9 \times 0.02)$ $-(2 \times 0.05) = 4.76$	2	4.76	2.5kg /m	-	23.8 kg
---	---	---	------	-------------	---	---------

References:-

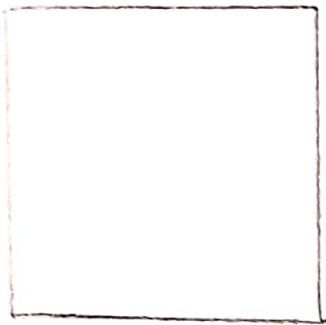
- A = 20mm \emptyset Straight bars 3 NOS 2.5kg/mt
- B = 16mm \emptyset Bent up bars 2 NOS 1.6kg/mt
- C = 16mm \emptyset Bent up bars 2 NOS 1.6kg/mt
- D = 12mm \emptyset Anchor bars 2 NOS 0.89kg/mt

15°



$$15^\circ \quad 1.5 + 1.5 - 0.1 + 1.25 + 1.25 - 0.1 = 5.30$$

$$37 \times 5.5 \times 0.17 = 34.59 \text{ kg}$$



= 37 NOS of bass



= 4 NOS of bass

$$2 \times 1295 \times 0.681 = 17.63$$