

Lab 7: De Multiplexer

DIGITAL LOGIC DESIGN

Submitted to :

Sir. Muhammad Amin

Submitted by :

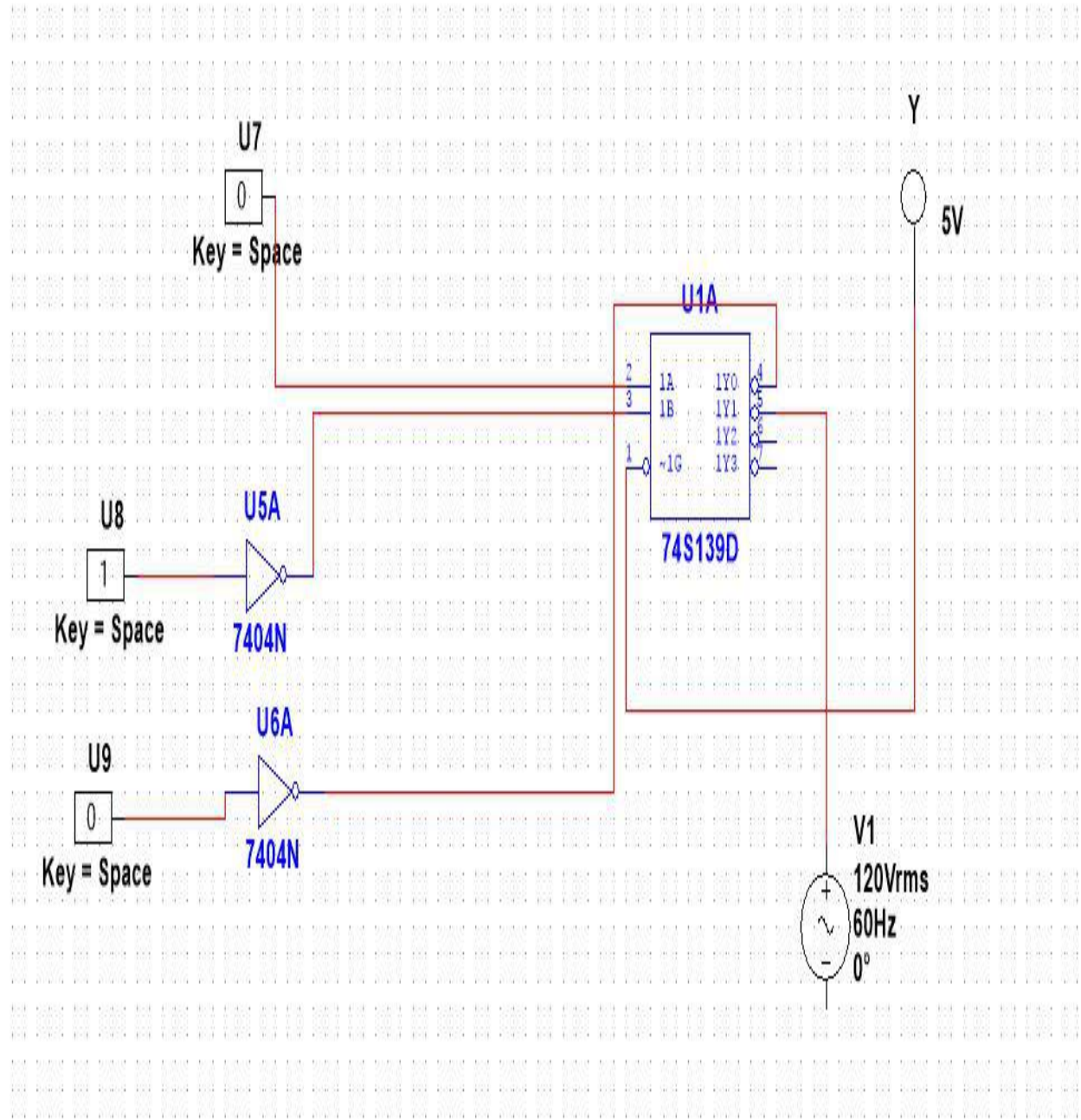
Muhammad Hamza

ID = 13136

BS (SE) Section B (8th semester)



To the Truth Table of 1:4 De-multiplexer using IC 74139



Observation Table:

Input Variable: D, S₀, S₁

Output Variable: Y₀, Y₁, Y₂, Y₃

LED ON: RED Light:

Logic 1 LED OFF:

Green Light: Logic 0

Truth table;

Data Input	Select Inputs		Outputs			
D	S ₁	S ₀	Y ₃	Y ₂	Y ₁	Y ₀
D	0	0	0	0	0	D
D	0	1	0	0	D	0
D	1	0	0	D	0	0
D	1	1	D	0	0	0