



# **IQRA NATIONAL UNIVERSITY**

## **Subject**

Project Management

## **Instructor**

Sir Zaighum Abbas

## **Submitted By**

ID# 6910

MBA (90)

## **Assignment**

Spring 2020

## **Date**

30<sup>th</sup> May 2020

# Assignment

Program: BBA/MBA

Assignment (Spring-2020)

Dated: 16<sup>th</sup> May, 2020

Time allowed: 30th May, 2020

Course Title: Project Management

Instructor: Zaighum Abbas

Note: Attempt All Questions

Total marks: 20

---

**Note:** *This Assignment should be attempted by word or PDF file. After making a word or PDF file upload this file through SIC portal in an assignment section. You have a limited time till 05 June which will automatically closed after the completion of timeline. No file will be accepted after the given time line.*

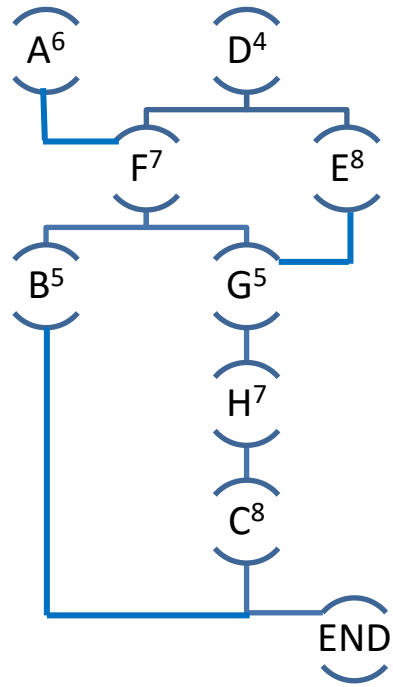
Q1.

**Exercise** Use the data in this table to answer the questions that follow:

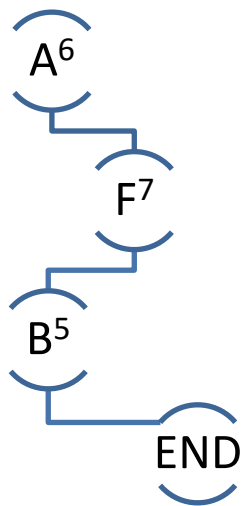
| Activity | Preceding Activity | Estimate in Months |
|----------|--------------------|--------------------|
| Start    |                    | 0                  |
| D        | Start              | 4                  |
| A        | Start              | 6                  |
| F        | D, A               | 7                  |
| E        | D                  | 8                  |
| G        | F, E               | 5                  |
| B        | F                  | 5                  |
| H        | G                  | 7                  |
| C        | H                  | 8                  |
| End      | C, B               | 0                  |

1. What is the duration of the critical path?

## Structure

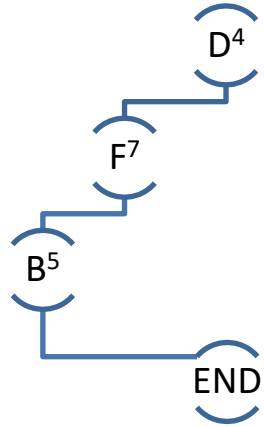


Number 1



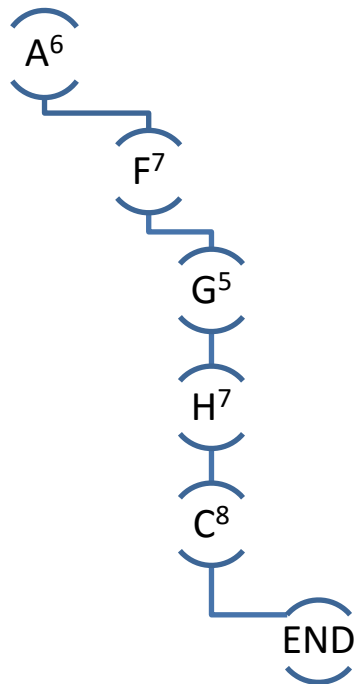
$$6+7+5=18$$

Number 2



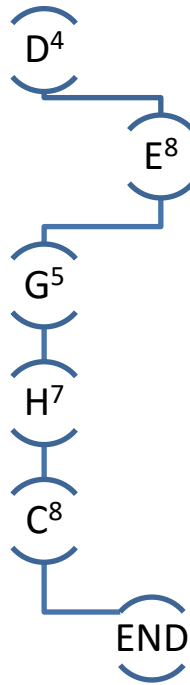
$$4+7+5=16$$

Number 3



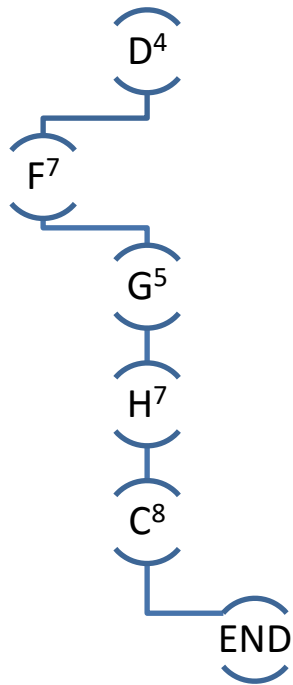
$$6+7+5+7+8=33$$

Number 4



$$4+8+5+7+8+32$$

Number 5



$$4+7+5+7+8=31$$

## **Conclusion**

At the end we get that number three get more time or duration(33 months) to complete the project as compare with the other plans, so this is a critical path.