

NAME	HIDAYAT KHAN
ID	17024
CLASS	BS (SE)
TEACHER	SIR.AMIN

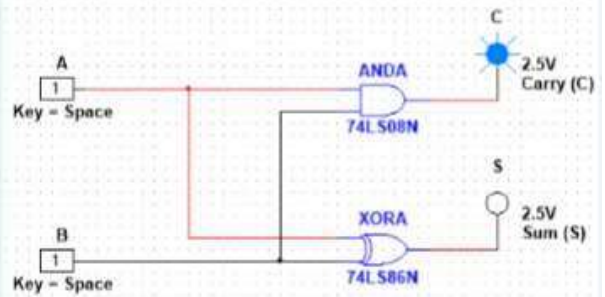
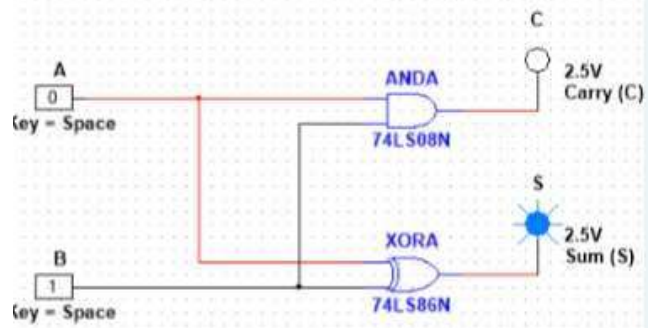
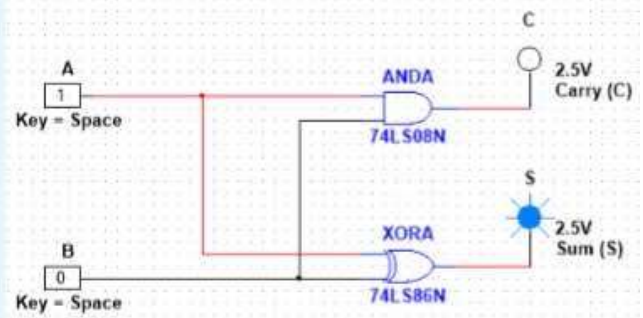
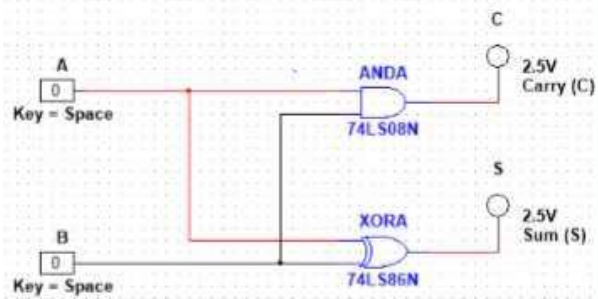
HALF ADDER

OBJECTIVES

: • To understand the principle of binary addition. • To understand half adder concept. • Use truth table and Boolean Algebra theorems in simplifying a circuit design. • To implement half adder circuit using logic gates

PROCEDURE:

1. collect the components necessary to accomplish this experiment.
2. Plug the IC chip into the breadboard.
3. Connect the supply voltage and ground lines to the chips. PIN7 = Ground and PIN14 = +5V.
4. According to the pin diagram of each IC mentioned above, make the connections according to circuit diagram.
5. Connect the inputs of the gate to the input switches of the LED.
6. Connect the output of the gate to the output LEDs.
7. Once all connections have been done, turn on the power switch of the bread-board
8. Operate the switches and fill in the truth table (Write "1" if LED is ON and "0" if LED is OFF Apply the various combination of inputs according to the truth table and observe the condition of Output LEDs. HALF ADDER: Half Adder: A half adder is a logical circuit that performs an addition operation on two binary digits. The half adder produces a sum and a carry value which are both binary digits.



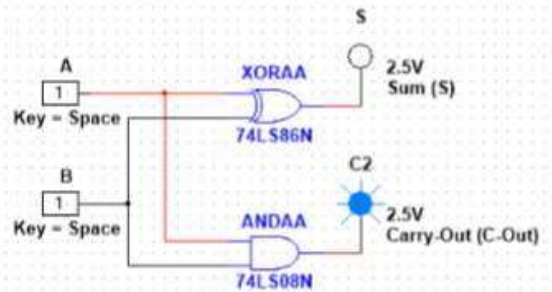
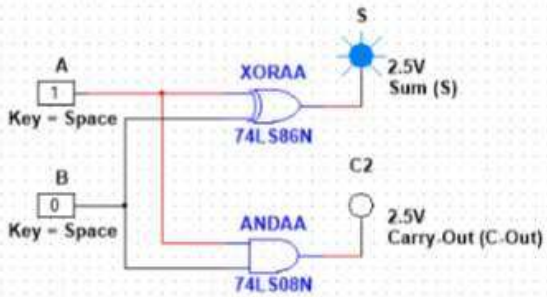
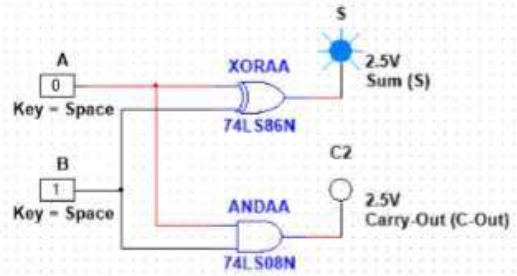
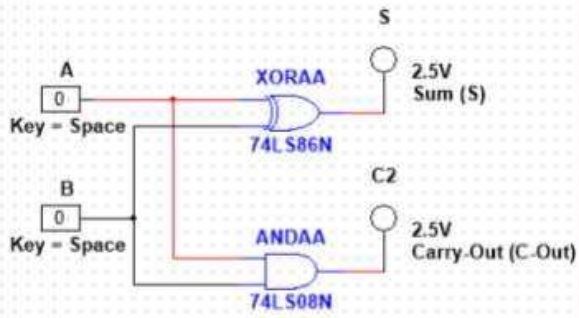
HALF SUBTRACTOR

OBJECTIVES:

- To understand the principle of binary subtraction.
 - To understand half-subtractor concept.
 - Use truth table and Boolean Algebra theorems in simplifying a circuit design.
 - To implement half-subtractor circuit using logic gates
- PROCEDURE:
- Collect the components necessary to accomplish this experiment.
 - Plug the IC chip into the breadboard.
 - Connect the supply voltage and ground lines to the chips. PIN7 = Ground and PIN14 = +5V.
 - According to the pin diagram of each IC mentioned above, make the connections according to circuit diagram.
 - Connect the inputs of the gate to the input switches of the LED.
 - Connect the output of the gate to the output LEDs.
 - Once all connections have been done, turn on the power switch of the bread-board
 - Operate the switches and fill in the truth table (Write "1" if LED is ON and "0" if LED is OFF Apply the various combination of inputs according to the truth table and observe the condition of Output LEDs.

HALF SUBTRACTOR:

The half-subtractor is a combinational circuit which is used to perform subtraction of two bits. It has two inputs, X (minuend) and Y (subtrahend) and two outputs D (difference) and B (borrow).



OBSERVATION TABLE.

A	B	D	B0
0	0	0	0
0	1	1	1
1	0	1	0
1	1	0	0

JK FLIP FLOP

OBJECTIVES:

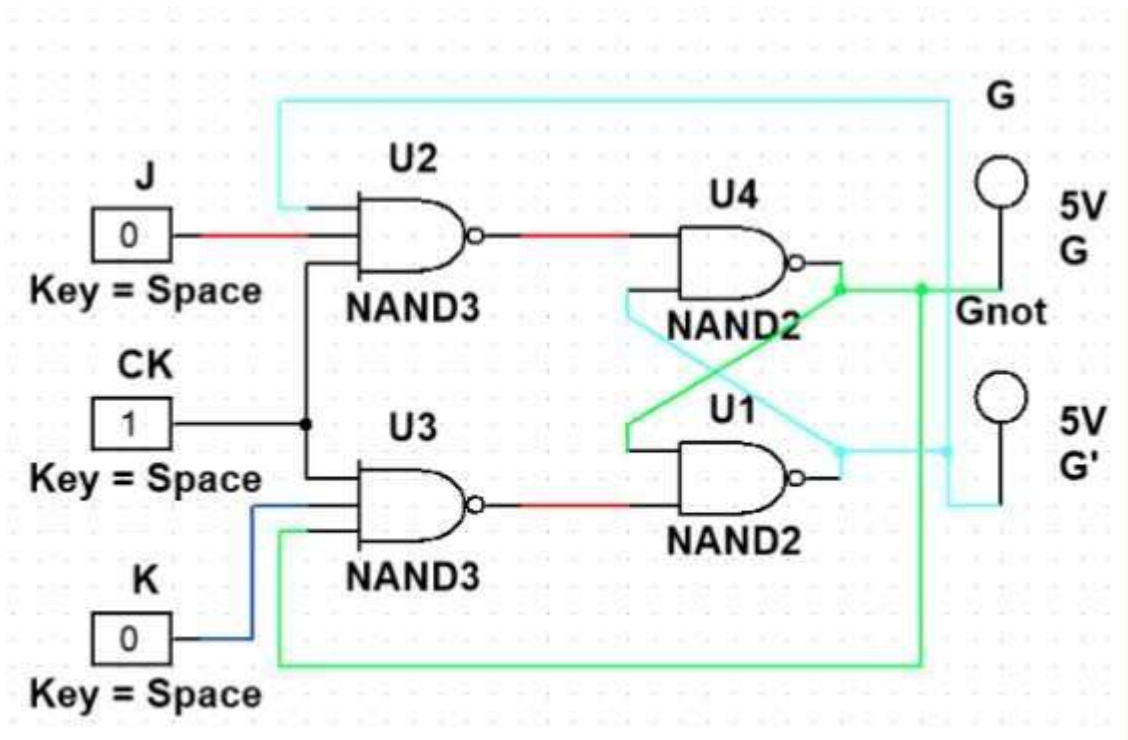
- To understand the principle of operation of sequential circuit
- To differentiate between combinational circuit and sequential circuit
- To get familiar with basic Flip flops
- Determine the logic operation of JK flip flops.
- Connect and observe the state transition of JK as connected to the clock generator circuit.

PROCEDURE:

- Collect the components necessary to accomplish this experiment.
- Plug the IC chip into the breadboard.
- Connect the supply voltage and ground lines to the chips. PIN7 = Ground and PIN14 = +5V
- According to the pin diagram of each IC mentioned above, make the connections according to circuit diagram.
- Connect the inputs of the gate to the input switches of the LED.
- Connect the output of the gate to the output LEDs.
- Once all connections have been done, turn on the power switch of the breadboard
- Operate the switches and fill in the truth table (Write "1" if LED is ON and "0" if LED is OFF Apply the various combination of inputs according to the truth table and observe the condition of Output LEDs.

JK FLIP FLOP:

A flip-flop is a circuit that has two stable states and can be used to store state information. The circuit can be made to change state by signals applied to one or more control inputs and will have one or two outputs



OBERVATION TABLE.

CK	J	K	Q	Q.
1	0	0	-	-
1	0	1	0	1
1	1	0	1	0
1	1	1	0	1